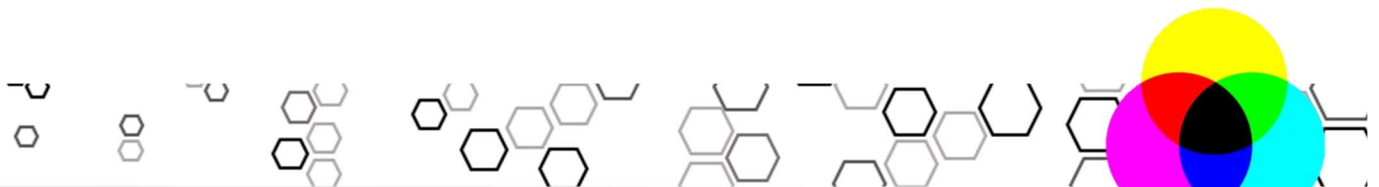
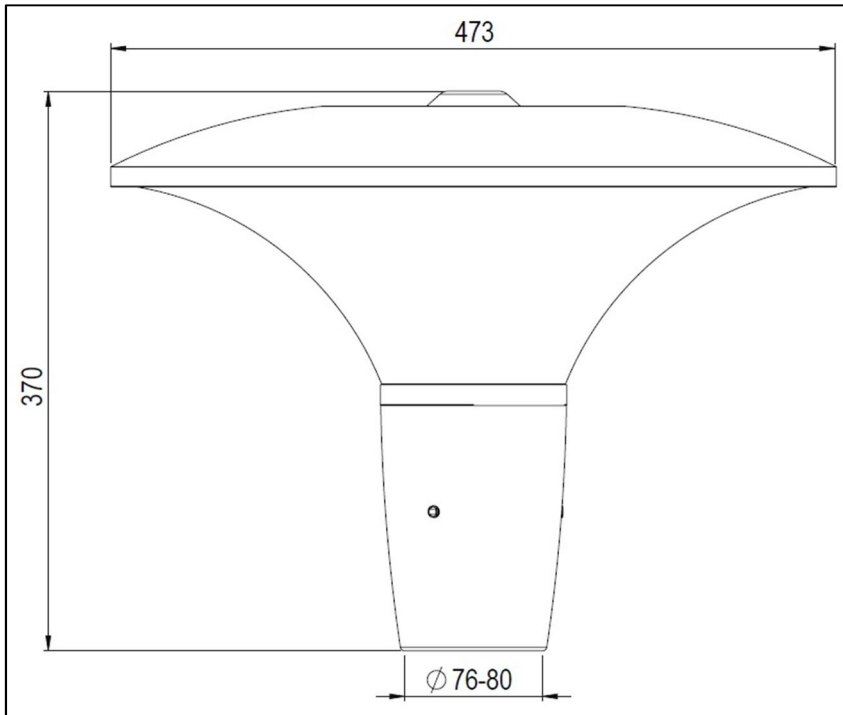




Post Top LED - Clear Lens





FACT FILE:

Body Construction	Lid is spun LM 6 aluminium – powder coated Base is glass filled nylon
Lens	Macralon - PC
Lumen options/Watts	From 28W Typically 146 lumens per W – total circuit load efficiency –before exiting lens So a 28W would be 4088 lumens. CRI – always higher than 80 CCT – 4000K or 5000K – 3000K is also possible – but then reduce lumens by 8% Lumens are measured at the PCB – please allow for losses through lens.
Supply Voltage	230V AC 50HZ
IP Rating	IP 66
Control Gear	100 000 hour Tridonic or Helvar or TCI – internally mounted
Power factor	Better than 0.95
Installation Data	IES Files – Yes
Dimmable?	Standard – no but with correct gear – then; Dali – Yes 1-10V – Yes DMX – Yes Triac -Yes
Recommended mounting height	3,5 to 6 metres
Operating conditions	-20C up to 45C
Typical Applications	Group B road lighting, Recreational parks, Parking areas.

Lumen values are as measured at source – on the PCB – not exiting light fitting.
Due to the fast pace of development – values are subject to change at any time
and without notice.

