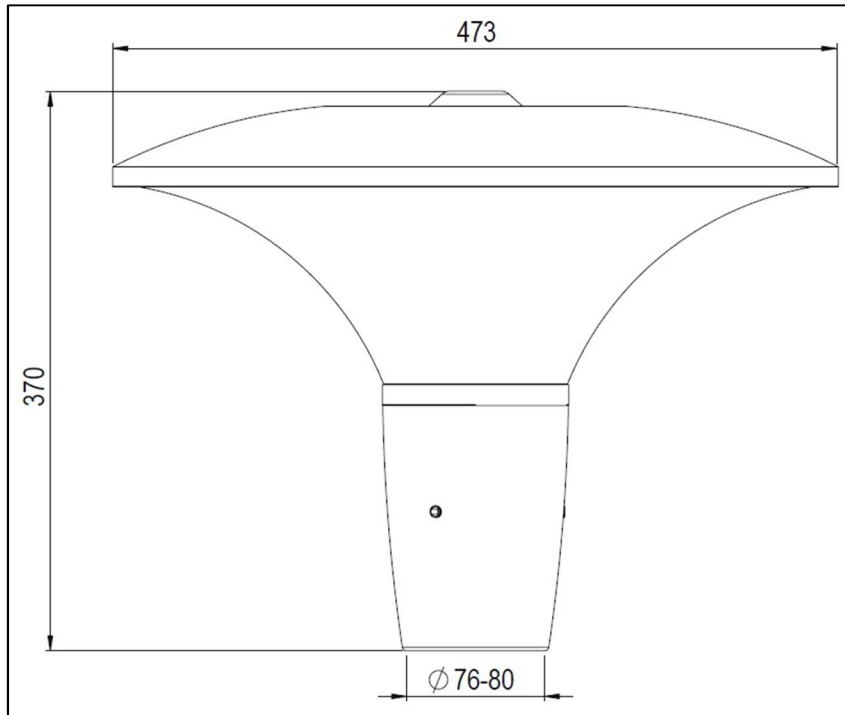


Post Top LED





FACT FILE:



Body Construction	Lid is spun LM 6 aluminium – powder coated Base is glass filled nylon
Lens	Frosted Acrylic.
Lumen options/Watts	From 30W to 42W Typically 140 lumens per W – total circuit load efficiency –before exciting lens So a 42W would be 6132lumens. CRI – always higher than 80 CCT – 4000K or 5000K – 3000K is also possible – but then reduce lumens by 8% Lumens are measured at the PCB – please allow for 20% losses through lens.
Supply Voltage	230V AC 50HZ
IP Rating	IP 66
Control Gear	100 000 hour Tridonic or Helvar or TCI – internally mounted
Installation Data	IES Files – Yes
Power factor	Better than 0.95
Dimmable?	Standard – no, but with correct gear – then; Dali – Yes 1-10V – Yes DMX – Yes Triac -Yes
Recommended mounting height	3,5 to 6 metres
Operating conditions	-20C up to 40C
Typical Applications	Group B road lighting, Recreational parks, Parking areas.

Lumen values are as measured at source – on the PCB – not exiting light fitting.
Due to the fast pace of development – values are subject to change at any time and without notice.

