

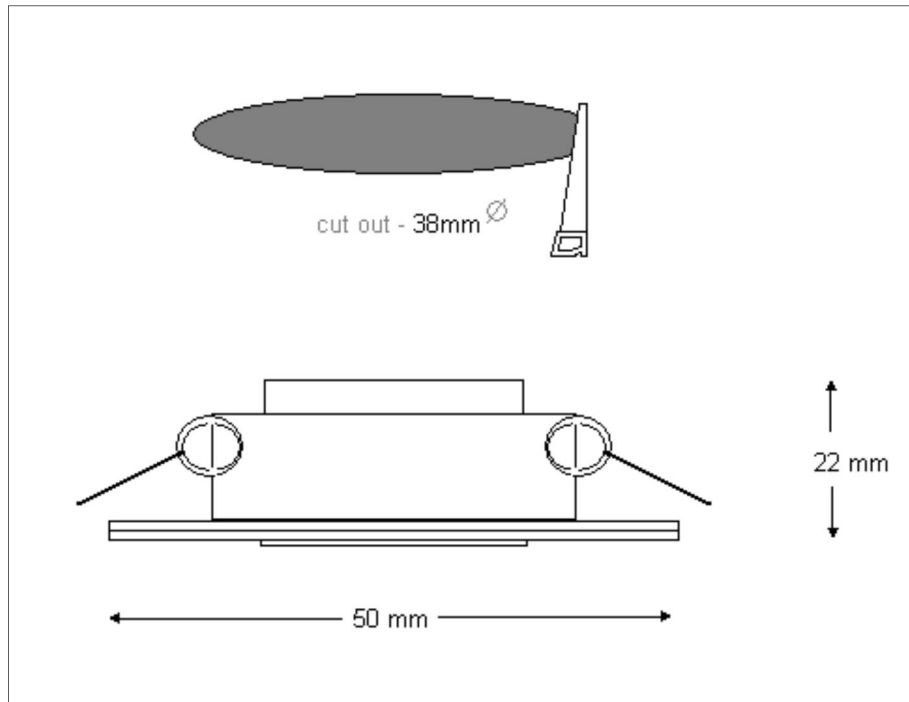
Midnitesun® LED Softlight
Recessed Micro Downlight



THIS DOWNLIGHTER PROVIDES A SOFT WARM LIGHT IDEALLY SUITED TO THE HOSPITALITY ENVIRONMENT.



FACT FILE:



MIDNITESUN LED SOFTLITE	
Trim construction	Machined aluminium powder coated - to any colour on a powder coat chart. Can also be brass or chrome plated.
Mounting	38 mm cut out - springs to locate into ceiling cut out. Also suitable for use in concrete slabs with appropriate void former.
Output characteristics	Warm White 3000K CRI - 82 Or Soft White 4500K CRI - 70 Alternatively red, green, blue or amber
Supply voltage	Power supply converter required - this downlighter needs to operate off 350ma or 700mA with an electronic converter/driver. This downlight cannot operate off 230V AC without a converter.
Wattage	1,2w off 350mA or 3W off 700mA
IP rating	IP 20
This product is rated for use in areas that do not exceed 45 degrees C - under correct conditions we offer a three year warranty on all parts including the LED source.	

Lumen values are as measured at source - on the PCB - not exiting light fitting.
Due to the fast pace of development - values are subject to change at any time and without notice.