

Megaledbay V4 Ultra

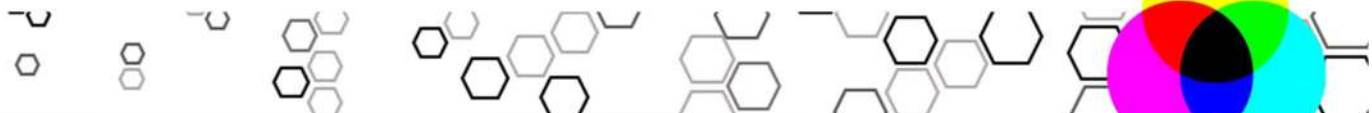


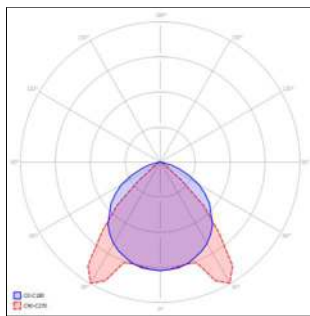
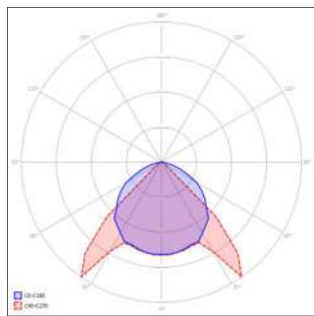
High efficacy LEDs  
176 Lumens / W on the PCB  
138 Lumens / W exiting the light fitting.  
10KV surge arrestor as standard  
  
100 000 - hour power supply as standard  
  
No corrosive steel parts - all stainless steel, anodized aluminium and engineering plastic.

Pendant cable - with clutch for easy suspension and height adjustment.

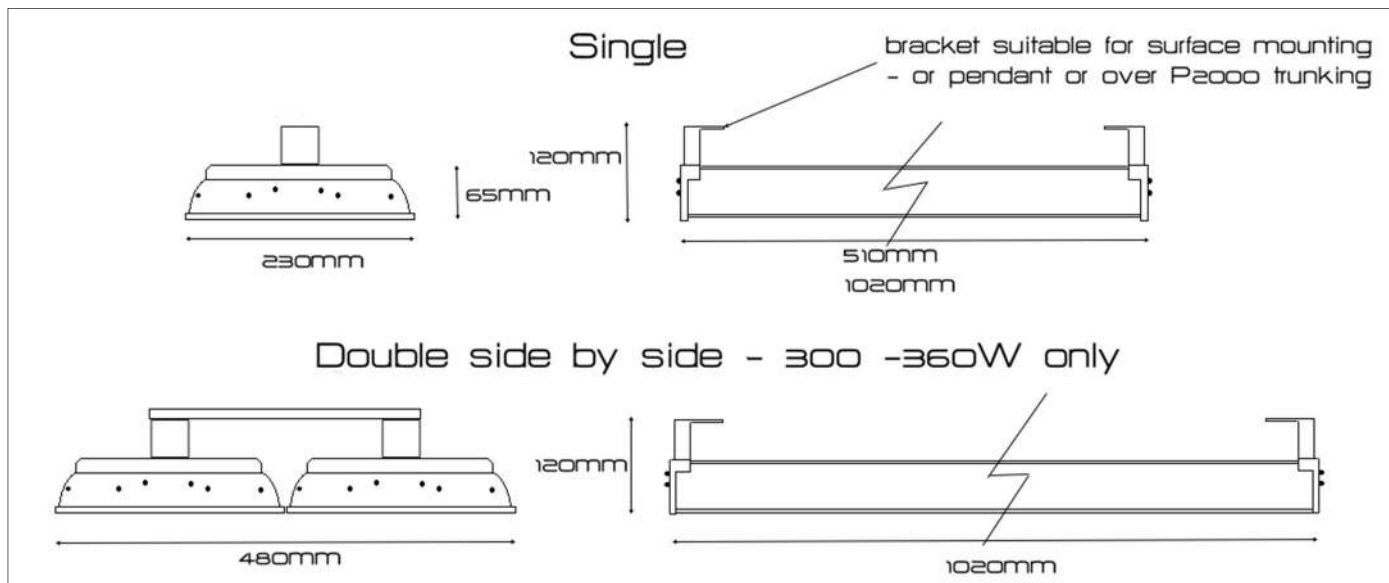


Rear view with mounting bracket for P2000 trunking or surface mounting to slab or from threaded rod





FACT FILE:



Body construction	ABS end caps/ anodised aluminium reflectors/powder coated or anodised aluminium gear channel.
Lens type	4mm Polycarbonate – toughened glass available on request
Supply voltage	230V AC 50HZ
Total circuit load and lumens.	90W – 15480 lumens at source (230mm x 510mm) 180W – 30960 lumens at source (230mm x 1020mm) 360W – 61920 lumens at source (480mm x 1020mm)
CRI and CCT	80 CRI minimum – 90 plus on request. 3000K and 4000K and 5000K available – there will be lower efficiencies when 90CRI or 3000K are selected ( about 8% ) 2400K and 6500K – available on request
IP rating	IP 44
Control Type	Standard - no control, on or off 1-10V control available DMX control available DALI control available KNX control available
Power factor	Better than 0,97

Lumen values are as measured at source – on the PCB – not exiting light fitting.  
Due to the fast pace of development – values are subject to change at any time and without notice.