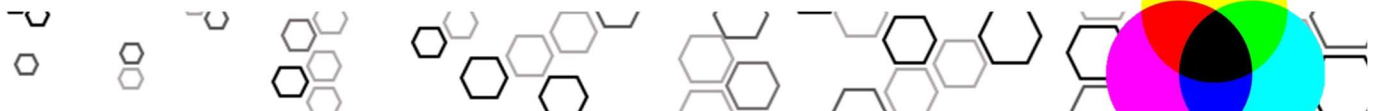
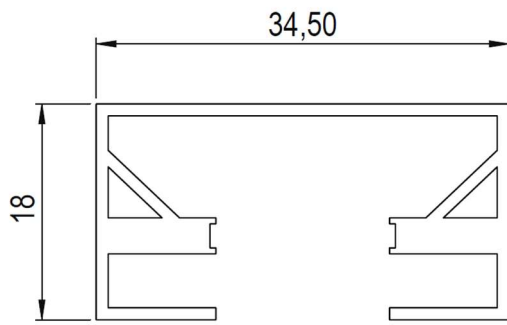


Economy Track
Mounted Spot Lights

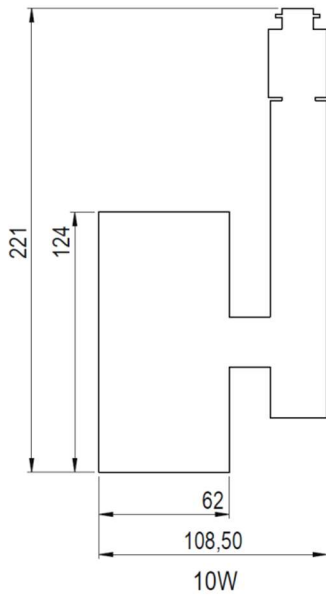




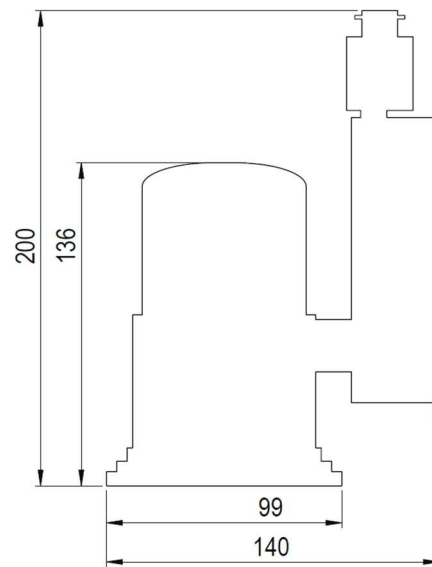
Track



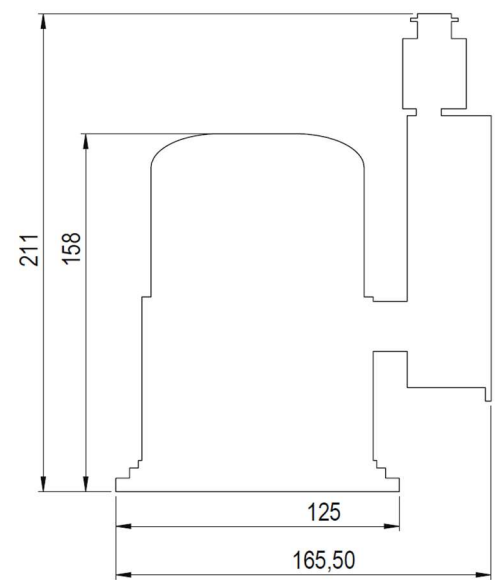
FACT FILE:



10W



15W



35W

	10W	15W	35W
LED type	Seoul Semiconductor	Seoul Semiconductor	Bridgelux
Luminous Flux	1100	1650	3850
CRI	80		
Supply voltage	230 VAC		
IP rating	IP20		
LED colours	3000k, 4000k, 5000k		
Power factor	Better than 0.95		
Installation data	Available		
Dimmable	Normally no – but can be adapted for 1-10V or DALI or DMX or KNX		

Lumen values are as measured at source – on the PCB – not exiting light fitting.
 Due to the fast pace of development – values are subject to change at any time
 and without notice.