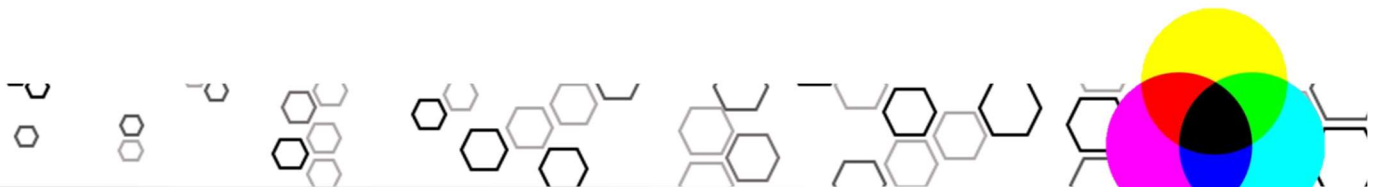
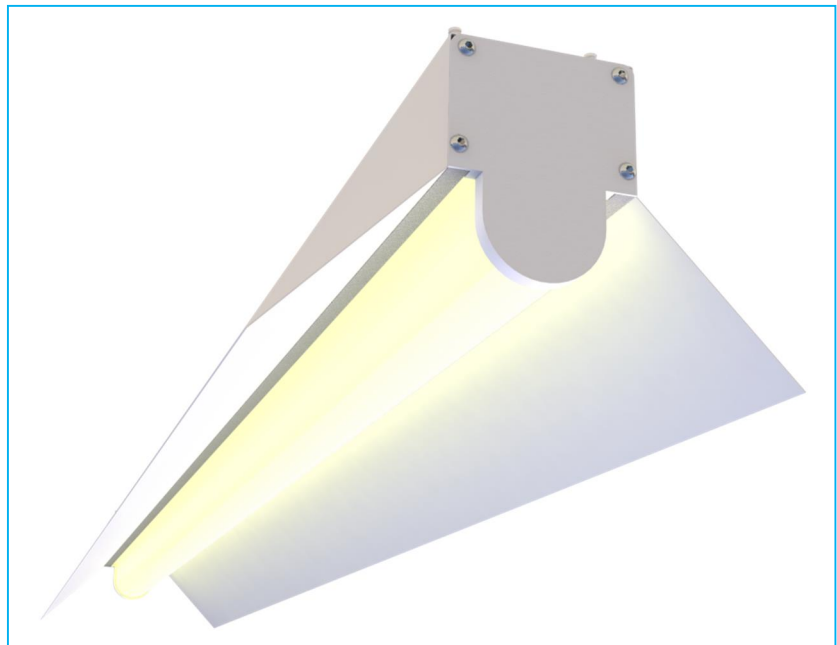
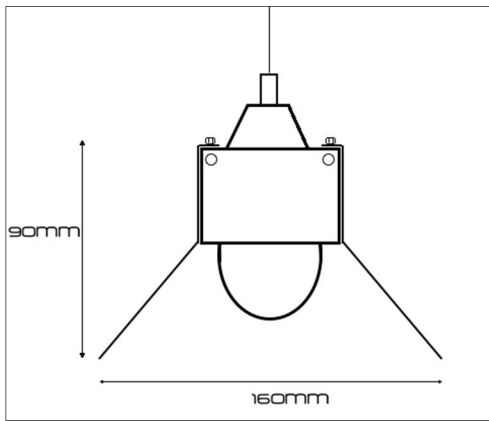




Utility LED

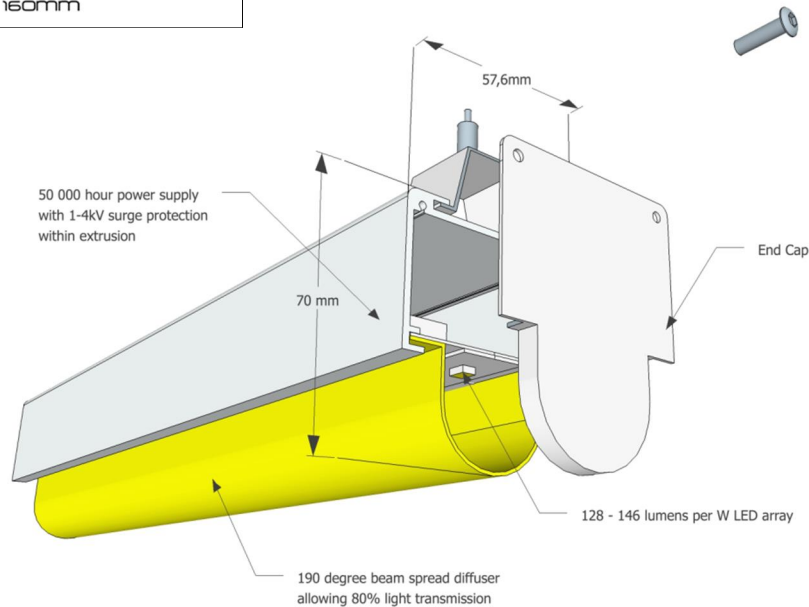




Optional wings - add on



FACT FILE:



Body Construction	Extruded aluminium - either anodized or powder coated
Lens and Reflector type	190 degree ultra wide distribution Opal lens with 80% transmission.
Lumen options/Watts	600mm – 26W 4100 lumens at source
Length options	1200mm – 50W 8200 lumens at source 1800mm – 75W 12300 lumen as source
Supply Voltage	230V AC 50HZ
CCT options	4000K and 5000K and 3000K – (reduce lumens by 8% for 3000K)
CRI	Plus 80 minimum – plus 90 possible on request
IP Rating	IP 44 – splash proof IP 55 on reuest
Control Gear	100 000 hour Tridonic or Helvar or TCI – internally mounted
Installation Data	IES Files – Yes
Power factor	Better than 0.95
Dimmable?	Standard – no but with correct gear – then; Dali – Yes 1-10V – Yes DMX – Yes

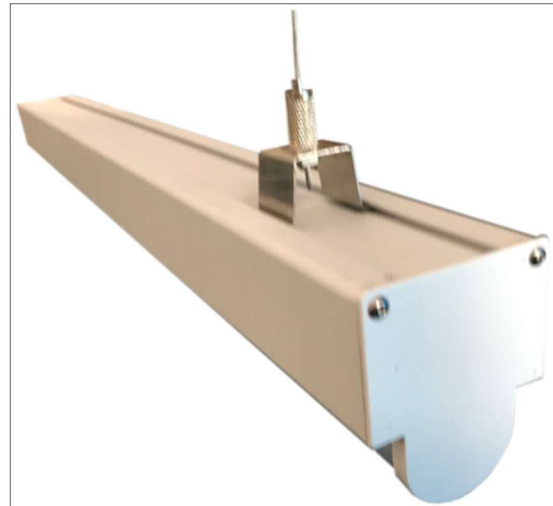
Lumen values are as measured at source - on the PCB - not exiting light fitting.  
Due to the fast pace of development - values are subject to change at any time  
and without notice.



## FACT FILE:



Surface mount option



Pendant option

