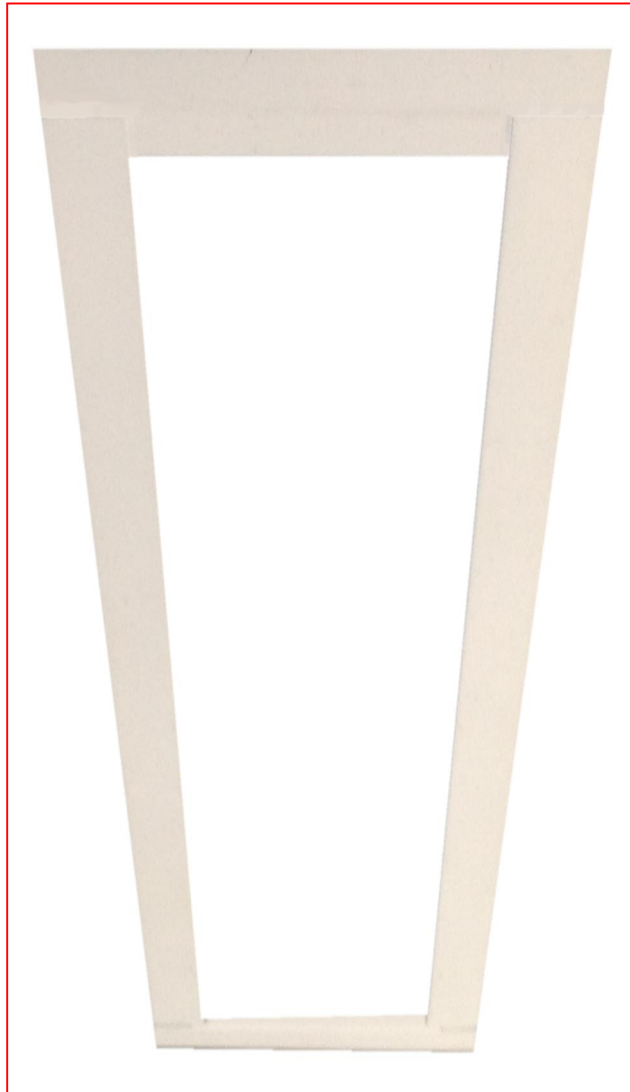
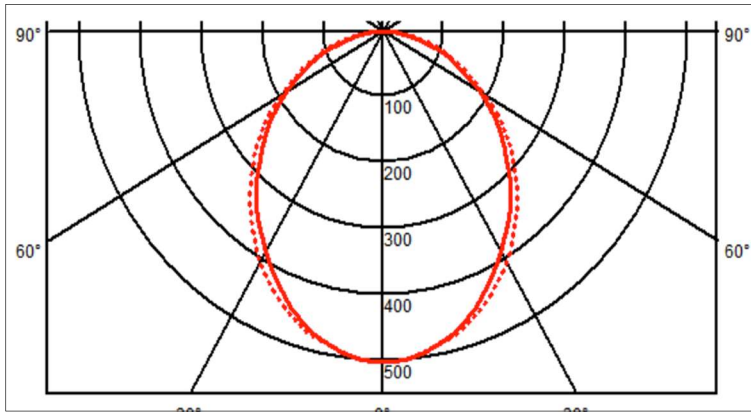
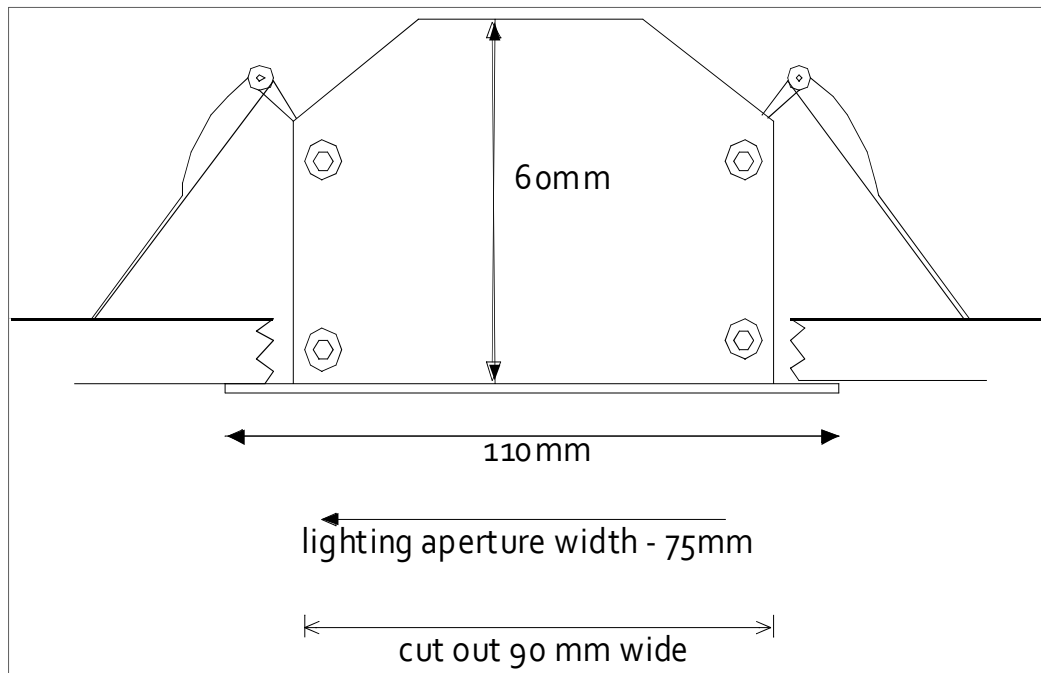


LED Batten MEGA





## FACT FILE:



Body Construction	Extruded aluminium - either anodized or powder coated
Lens and Reflector type	120 degree distribution - opal lens Opal/Fresnel lens optional
Lumen options/Watts	50W/m – 8600 lumens 100W/m – 17 200 Lumens
Supply Voltage	230V AC 50HZ
IP Rating	IP 20
Control Gear	external
Power Factor	Better than 0.95
Installation Data	IES Files – Yes
Dimmable?	With correct gear - yes

Lumen values are as measured at source - on the PCB - not exiting light fitting.  
Due to the fast pace of development - values are subject to change at any time and without notice.