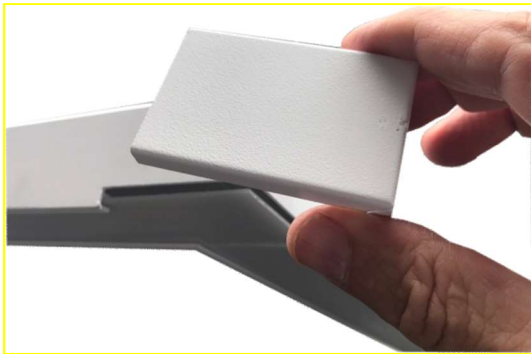
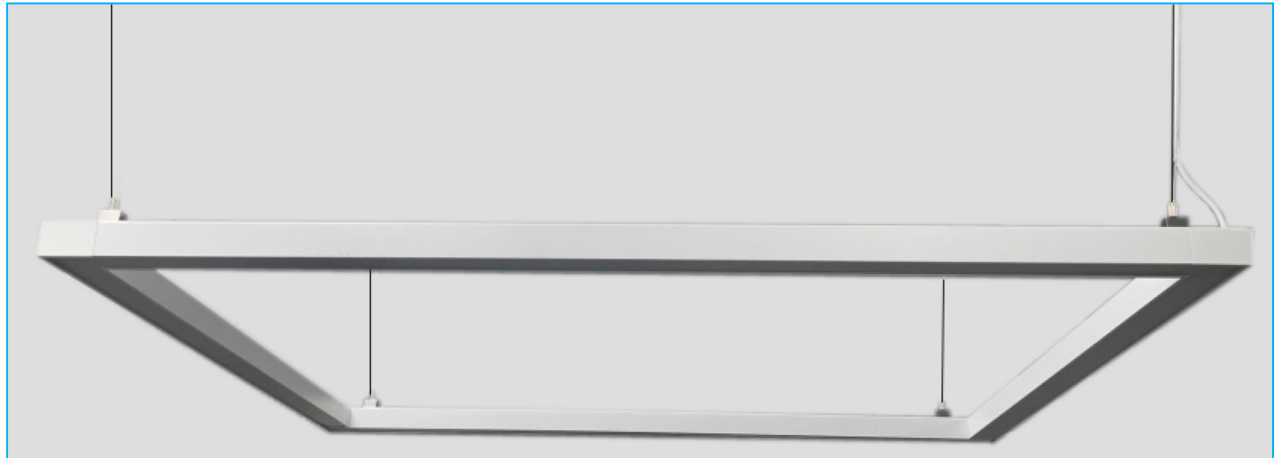


LED Batten Pendant  
or Surface mount

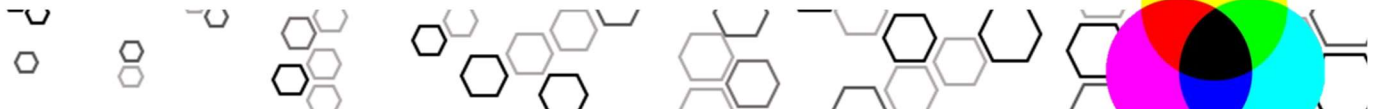


Squares or rectangles or straight - pendant or surface mounted



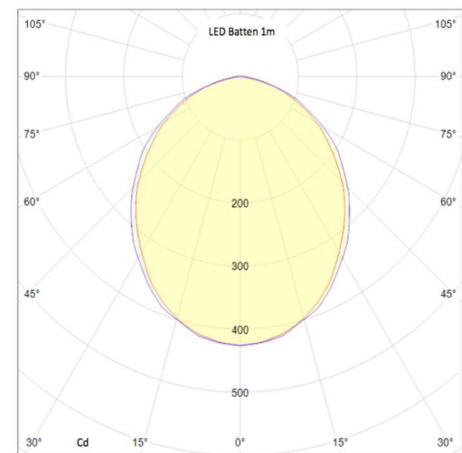
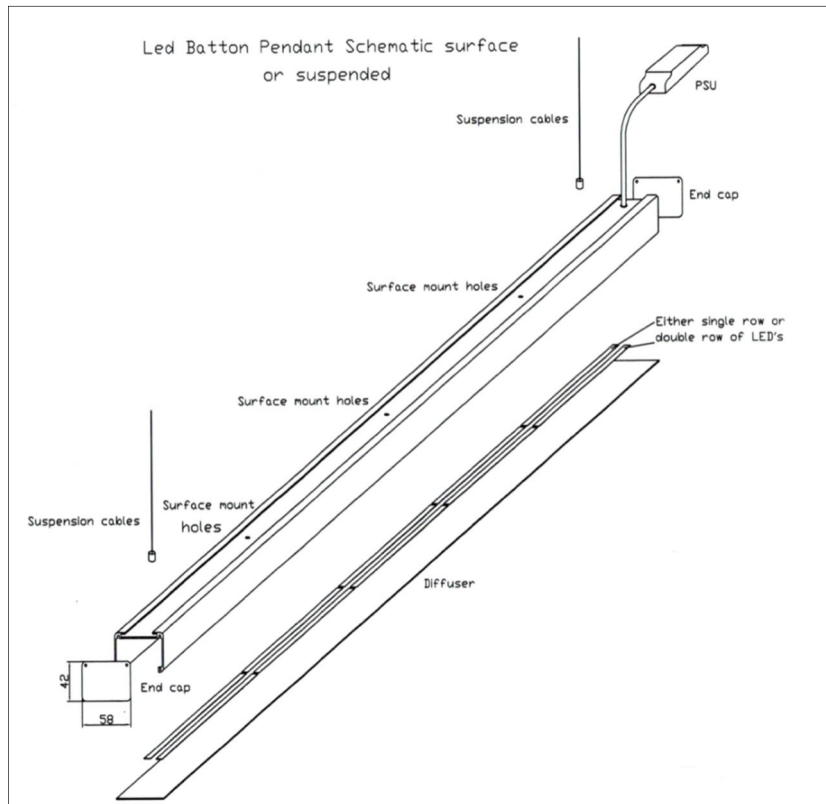
Corner piece removable to allow for maintenance - magnetic - tools free

Straight lengths - up to 5m in one piece.  
These can then be joined to make longer pieces





## FACT FILE:



Body Construction	Extruded aluminium - either anodized or powder coated
Lens and Reflector type	120 degree wing configuration Opal/fresnel lens optional
Lumen options/Watts	18W/m – 3000 lumens 36W/m – 6000 lumens
Supply Voltage	230V AC 50HZ
IP Rating	IP 20
Control Gear	External
Power factor	Better than 0.95
Installation Data	IES Files – Yes
Dimmable?	Standard – no but with correct gear – then; Dali – Yes 1-10V – Yes DMX – Yes Triac -Yes

Lumen values are as measured at source – on the PCB – not exiting light fitting.  
Due to the fast pace of development – values are subject to change at any time  
and without notice.