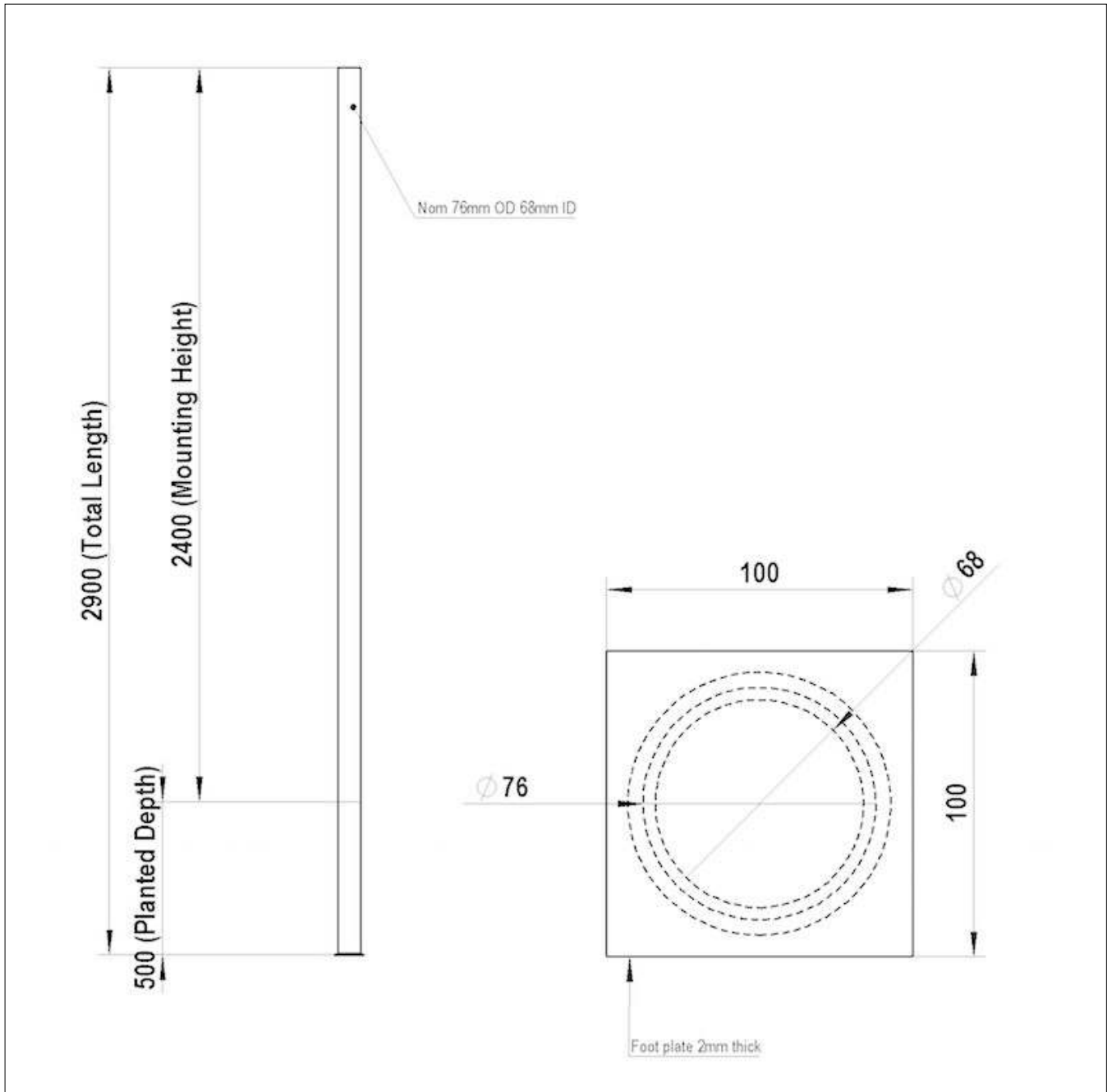
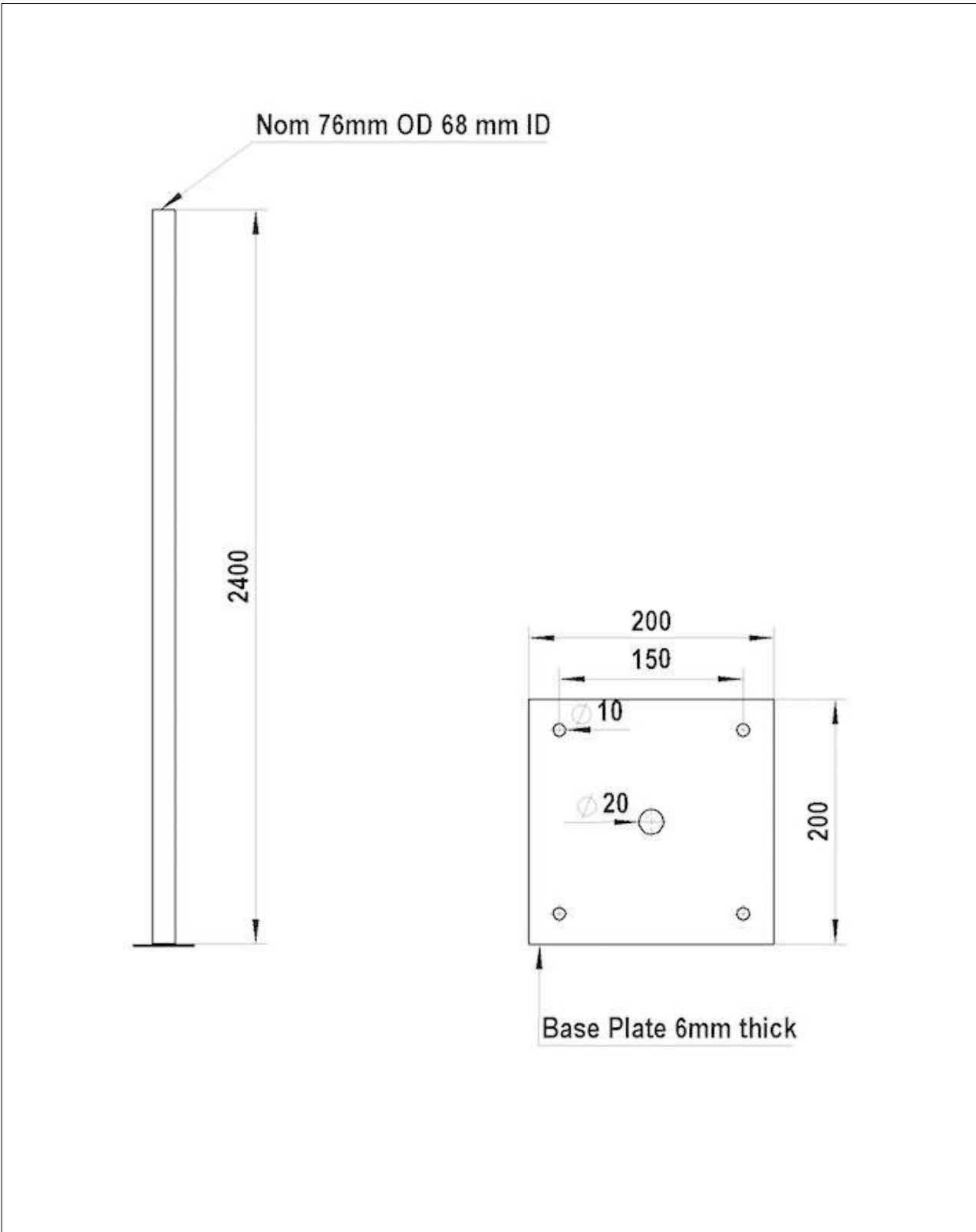


2,4m 76mmOD buried



2,4m 76mmOD plinth



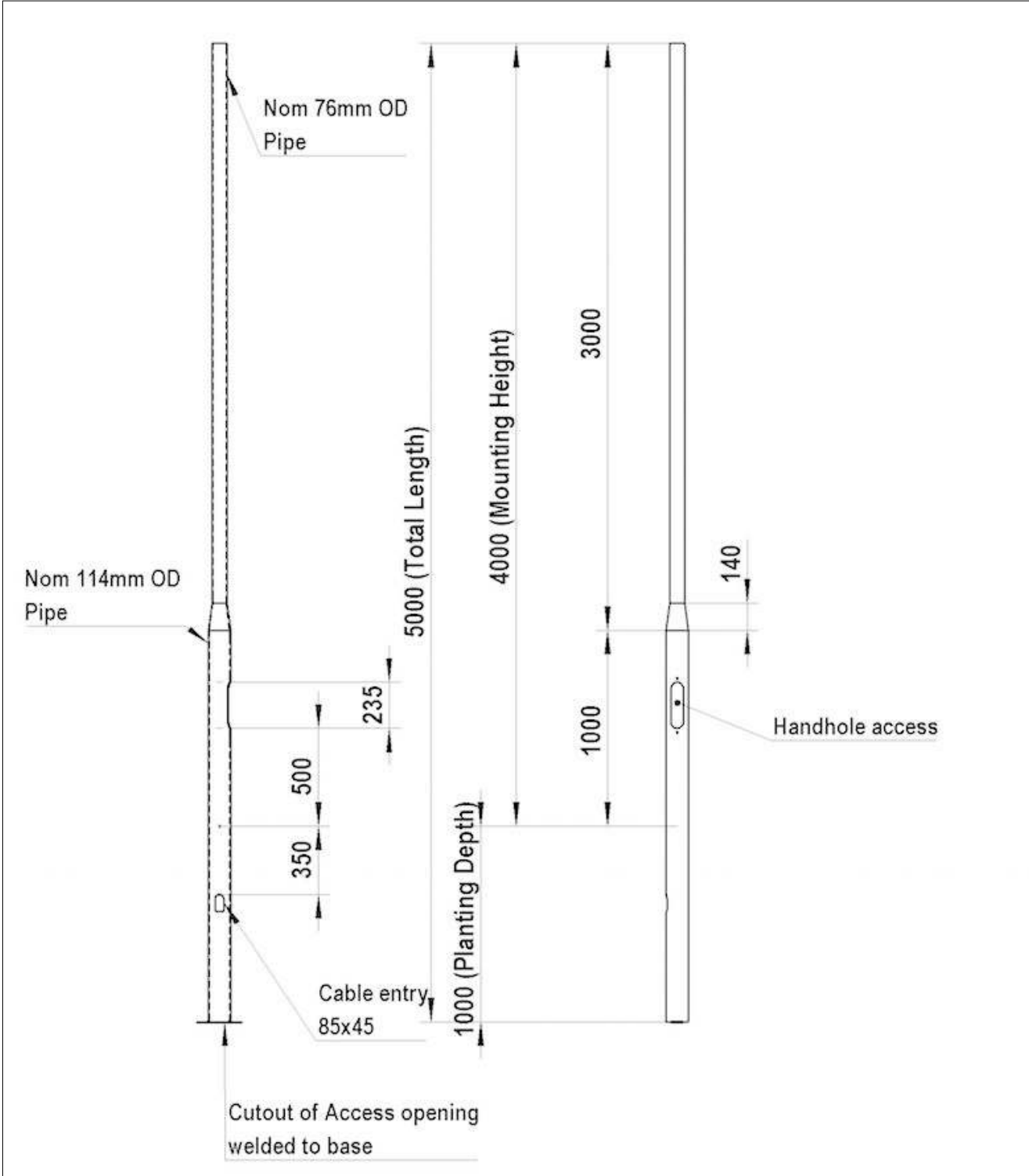
Giantlight (PTY) LTD

Tel: +27 11 704 1450 / +27 82 451 5506

169 Bush Telegraph Rd, Northlands Business Park North Riding Gauteng South Africa

www.giantlight.co.za email: otto@giantlight.co.za; wolfgang@giantlight.co.za

4m 76mmOD stepped buried



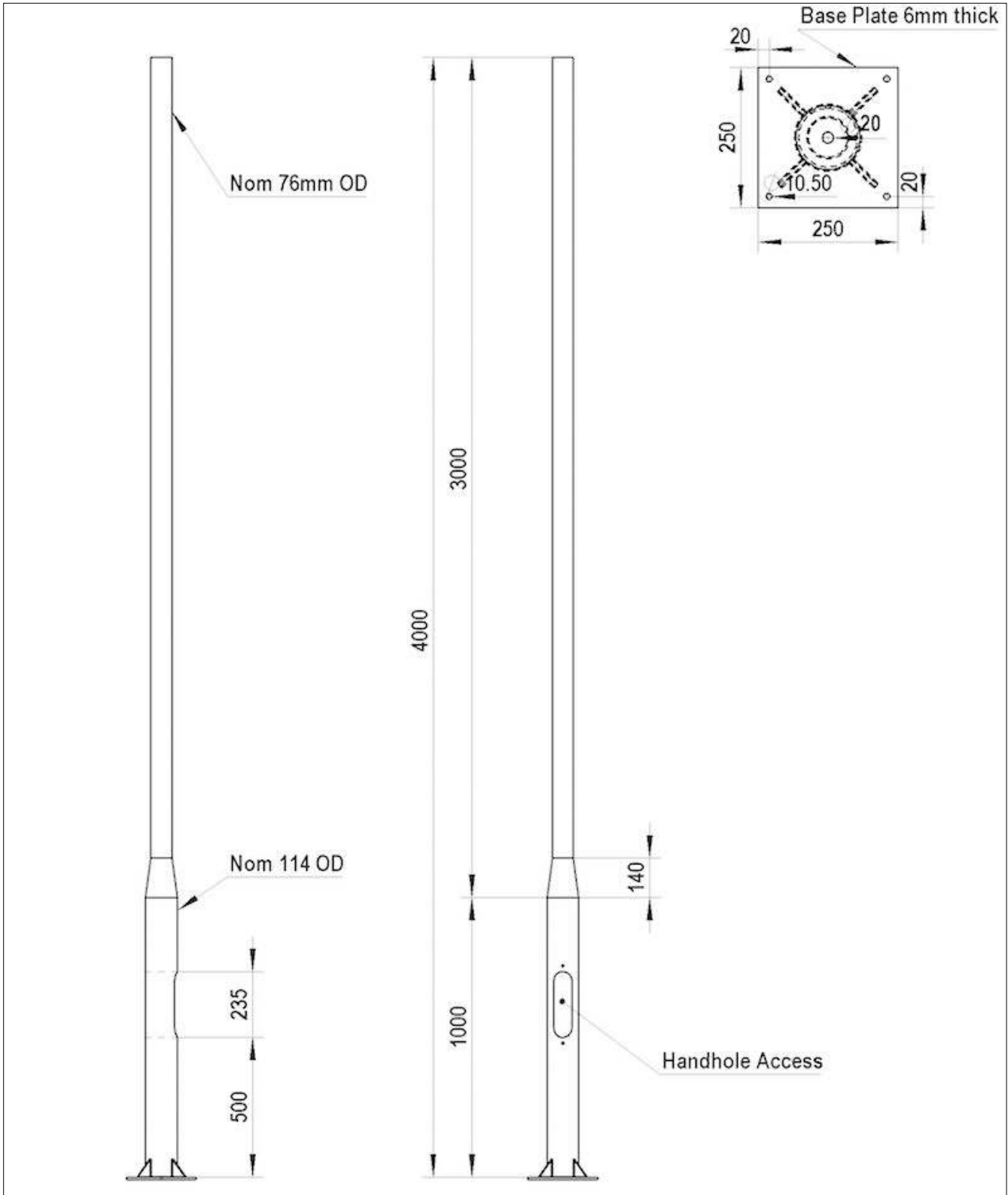
Giantlight (PTY) LTD

Tel: +27 11 704 1450 / +27 82 451 5506

169 Bush Telegraph Rd, Northlands Business Park North Riding Gauteng South Africa

www.giantlight.co.za email: otto@giantlight.co.za; wolfgang@giantlight.co.za

4m 76mmOD stepped plinth



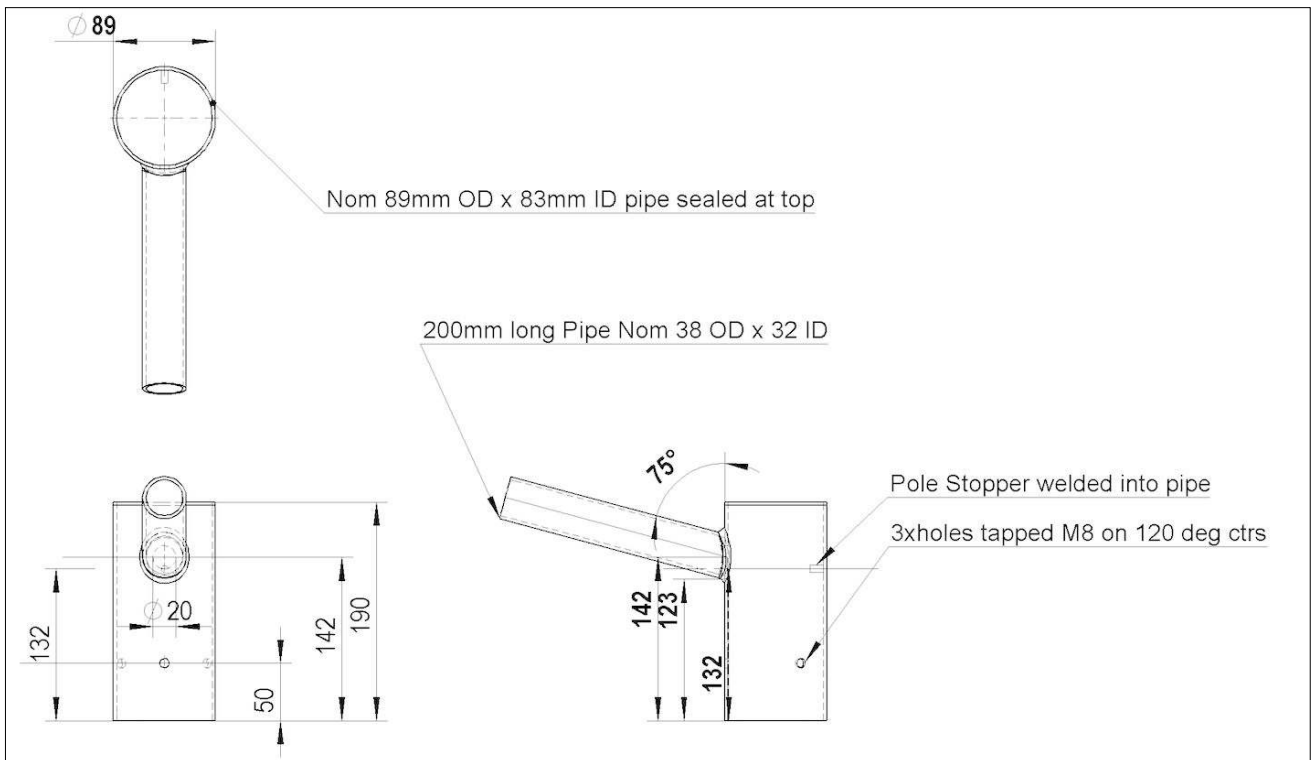
Giantlight (PTY) LTD

Tel: +27 11 704 1450 / +27 82 451 5506

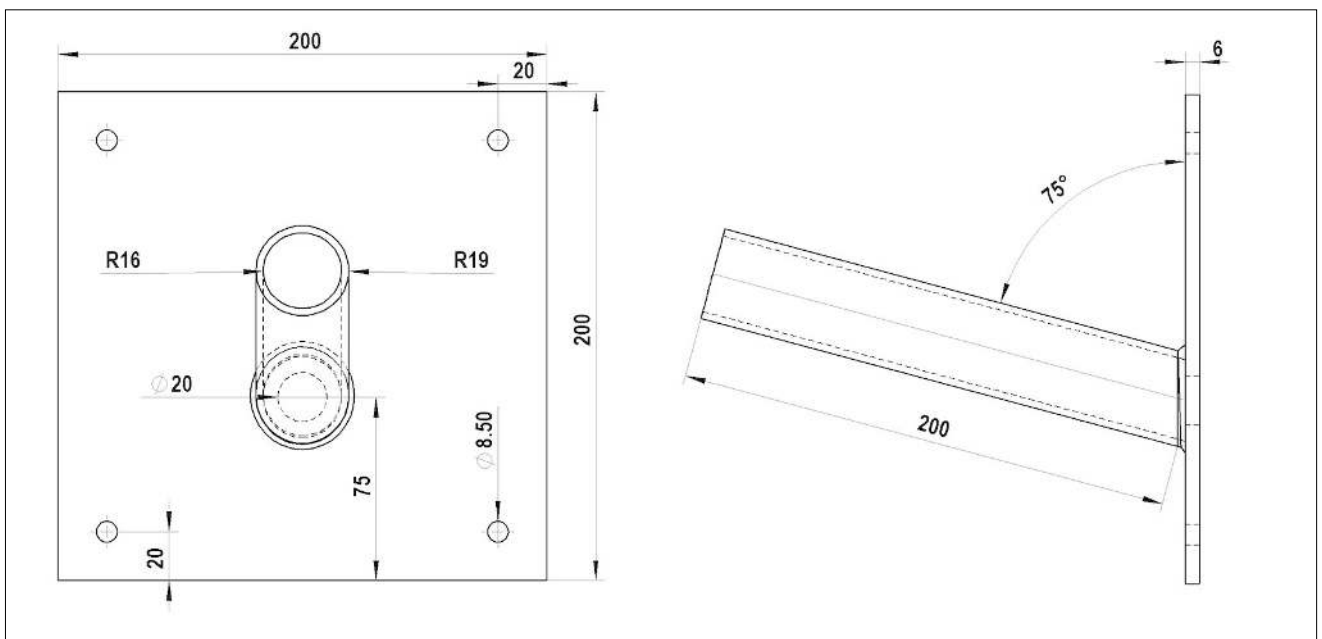
169 Bush Telegraph Rd, Northlands Business Park North Riding Gauteng South Africa

www.giantlight.co.za email: otto@giantlight.co.za; wolfgang@giantlight.co.za

## 76mm to 15 degree streetlight adaptor bracket



## Wall mount 15 degree streetlight bracket



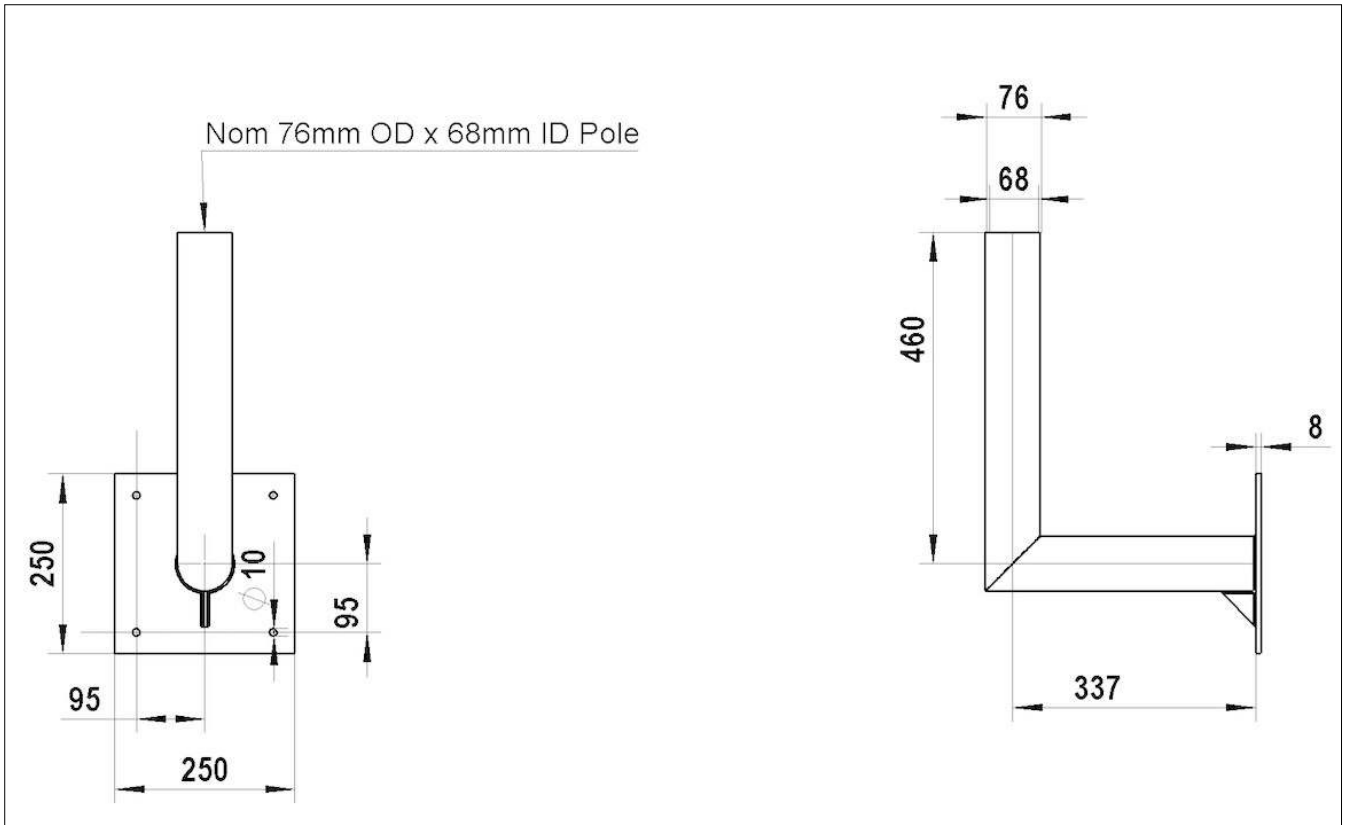
Giantlight (PTY) LTD

Tel: +27 11 704 1450 / +27 82 451 5506

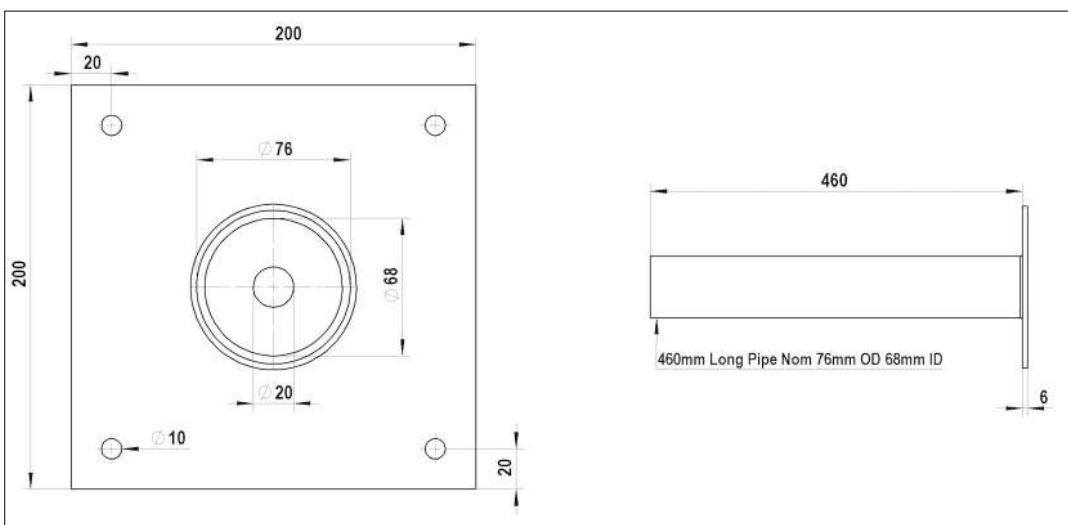
169 Bush Telegraph Rd, Northlands Business Park North Riding Gauteng South Africa

www.giantlight.co.za email: otto@giantlight.co.za; wolfgang@giantlight.co.za

## Post top wall mount chimney bracket



## Post top plinth mount



Giantlight (PTY) LTD

Tel: +27 11 704 1450 / +27 82 451 5506

169 Bush Telegraph Rd, Northlands Business Park North Riding Gauteng South Africa

www.giantlight.co.za email: otto@giantlight.co.za; wolfgang@giantlight.co.za