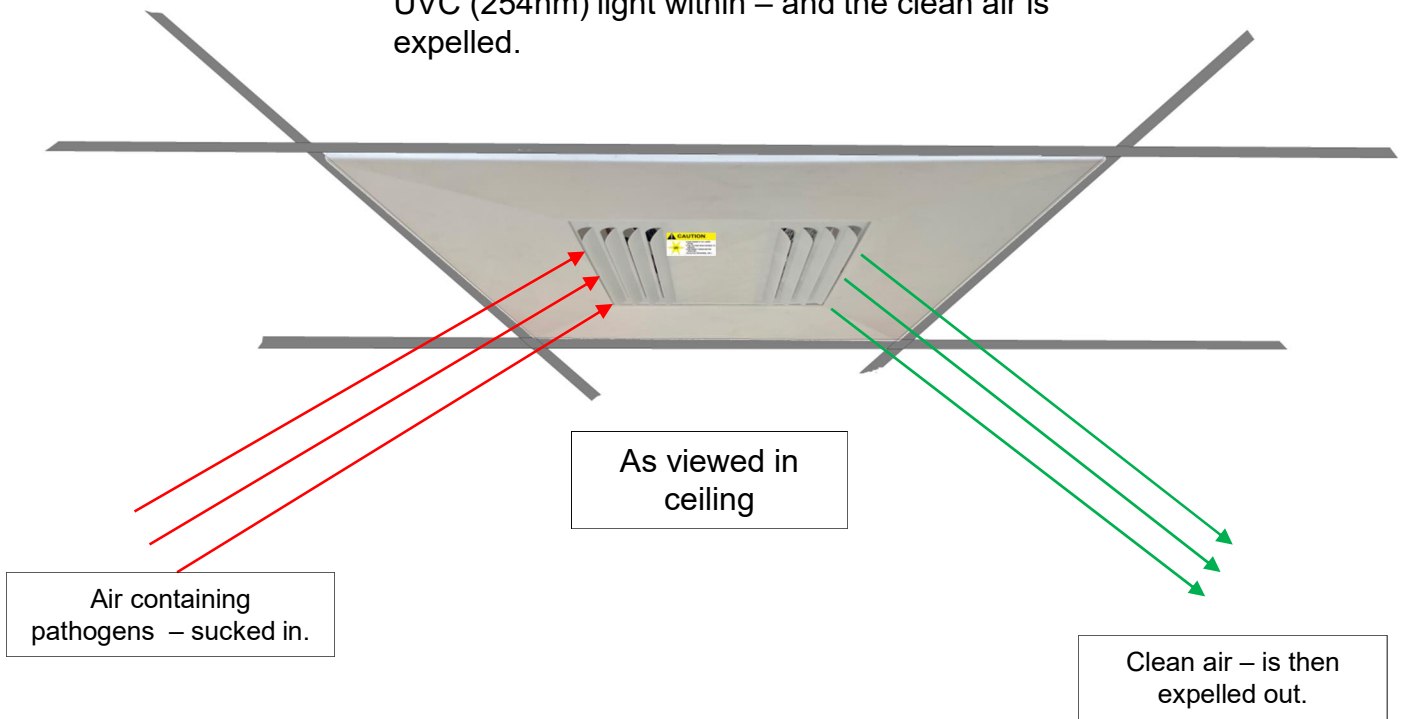


Jaeger 3 - UVC lay in 600 x 600 - germicidal air scrubber.

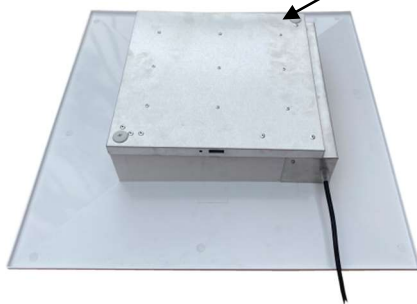


Lay in 595 x 595 mm air purification unit – simply drops into ceiling grid – like a panel light.

Dirty pathogens are sucked in – destroyed by the UVC (254nm) light within – and the clean air is expelled.



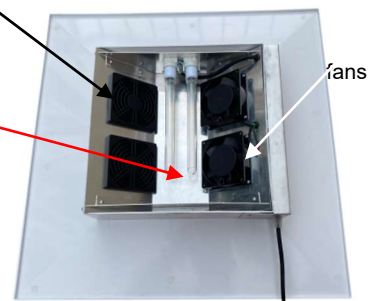
Once lid is removed – a safety switch disconnects – ensuring harmful UVC lamps are off – keeping maintenance staff safe.



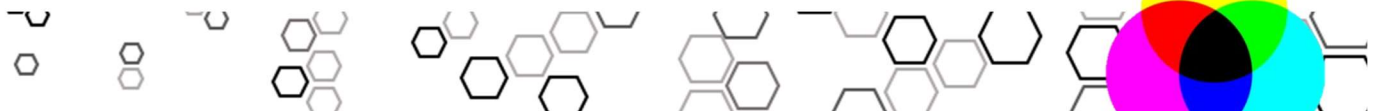
View of back – with 'lid' in place.

Cleanable/replaceable air filters

UVC chamber – hidden from users



View of back – with 'lid' removed – to access lamps for replacement.



FACT FILE:



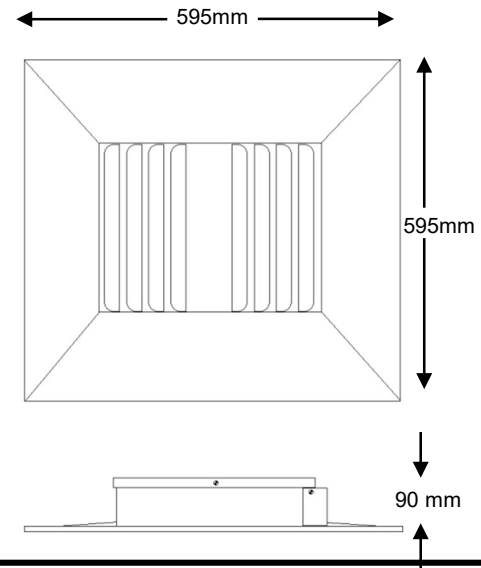
How it works...

Air is sucked in on the left side – through the slots, through a sponge filter – then into a chamber containing 2 x UVC lamps (254nm) – the UVC lamps destroy the pathogens in the air and the air is then expelled through the vents on the right.

One of these UVC air scrubbers can clean a room of 5m x 5m x 2,6m - 3 -4 times an hour.

As the UVC lamps are not exposed - this unit is safe to use while humans are in the room.

Please note – this device is for the destruction of air borne pathogens – it will not clean surfaces – like tabletops. For the destruction of surface mounted pathogens – please make use of our hand held 'Magic Wand UVC cleaner



| | Details |
|----------------------------------|---|
| Body construction | Acrylonitrile Butadiene Styrene (ABS - Engineering plastic) – self extinguishing |
| Louvre and UVC chamber | Louvre – punched steel – powder coated white. UVC chamber – aluminium – anodised. |
| Colour of trim | Standard is ferrograin white – ABS can be wet sprayed for special colours – on request. |
| UVC lamp type | Osram or Phillips UVC 18W (x2) – in PL or Dulux shape. Wavelength is 254nm |
| Power supply for lamps | Tridonic or Helvar or VS – electronic. |
| Fan Type | 2 x MAGLEV fans (Magnetic Levitation – so no ball bearings or bushes – hence the 50 000 hour plus life. |
| Effective lamp life | 8000 hours. An hour meter can be added – to enable maintenance staff to accurately monitor the lamp life. |
| Supply voltage | 230V AC 50HZ |
| Wattage and power factor | 72W – including 2 lamps plus 2 MagLEV fans Power factor is plus 0,95 |
| Effective UVC wattage – when new | 11W of 254nm |
| IP rating | IP 20 |

Due to the nature of UVC radiation – within the radiation chamber – plastic items like plastic finger guards on the filters will degrade over time and will need replacing from time time