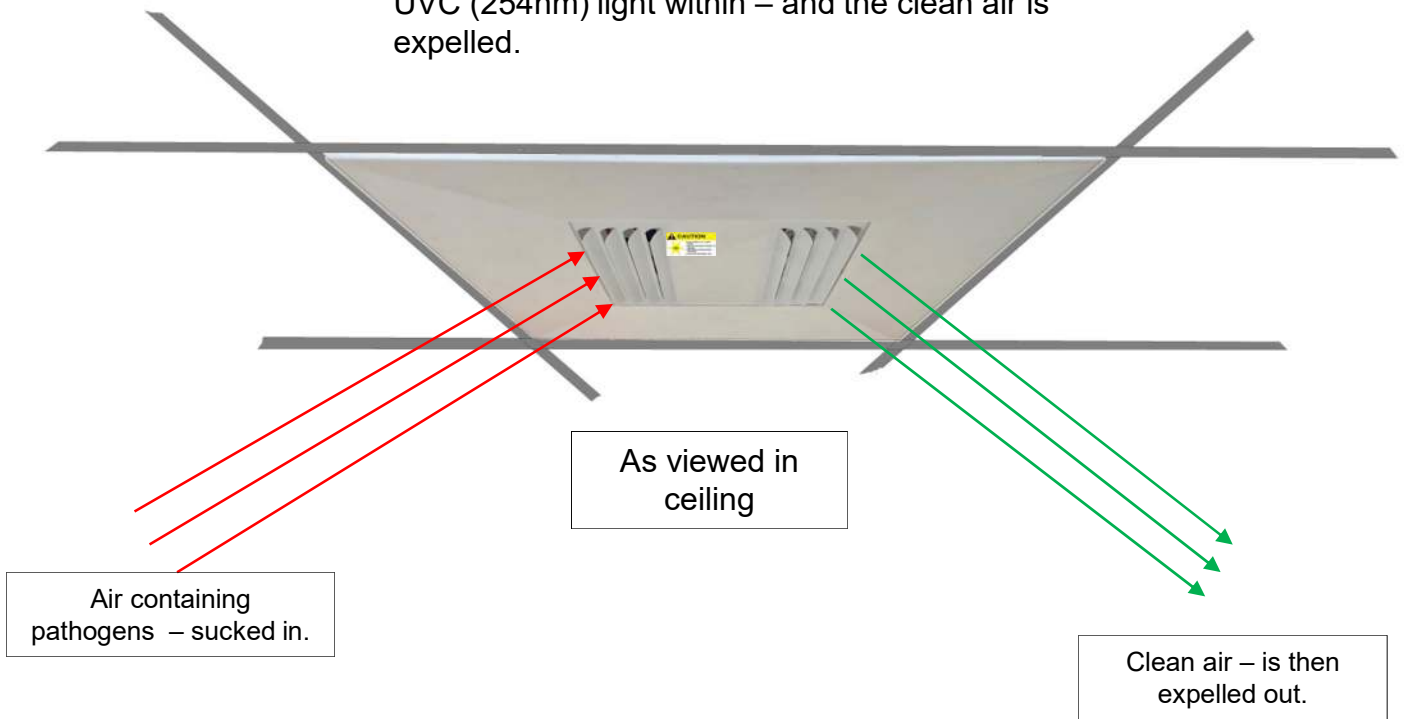


Jaeger 3 - UVC lay in 600 x 600 - germicidal air scrubber.

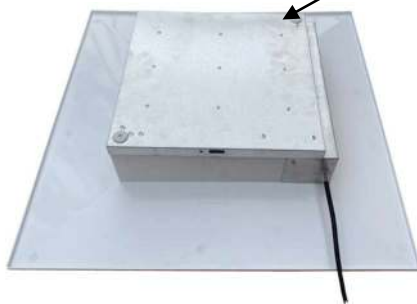


Lay in 595 x 595 mm air purification unit – simply drops into ceiling grid – like a panel light.

Dirty pathogens are sucked in – destroyed by the UVC (254nm) light within – and the clean air is expelled.



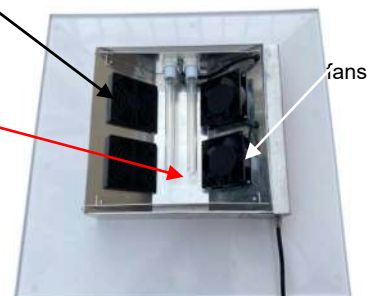
Once lid is removed – a safety switch disconnects – ensuring harmful UVC lamps are off – keeping maintenance staff safe.



View of back – with 'lid' in place.

Cleanable/replaceable air filters

UVC chamber – hidden from users



View of back – with 'lid' removed – to access lamps for replacement.



# FACT FILE:



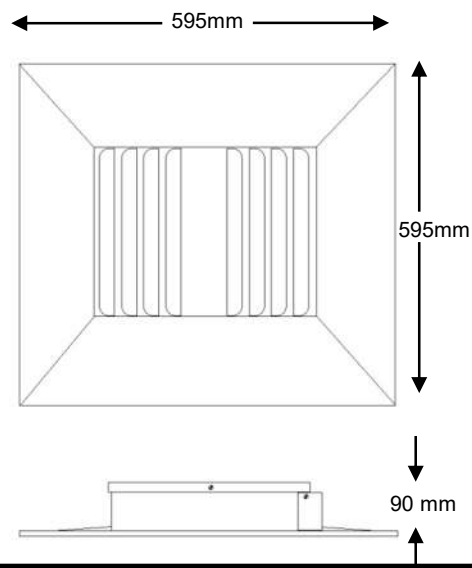
## How it works...

Air is sucked in on the left side – through the slots, through a sponge filter – then into a chamber containing 2 x UVC lamps (254nm) – the UVC lamps destroy the pathogens in the air and the air is then expelled through the vents on the right.

One of these UVC air scrubbers can clean a room of 5m x 5m x 2,6m - 3 -4 times an hour.

As the UVC lamps are not exposed - this unit is safe to use while humans are in the room.

Please note – this device is for the destruction of air borne pathogens – it will not clean surfaces – like tabletops. For the destruction of surface mounted pathogens – please make use of our hand held 'Magic Wand UVC cleaner



	Details
Body construction	Acrylonitrile Butadiene Styrene (ABS - Engineering plastic) – self extinguishing
Louvre and UVC chamber	Louvre – punched steel – powder coated white. UVC chamber – aluminium – anodised.
Colour of trim	Standard is ferrograin white – ABS can be wet sprayed for special colours – on request.
UVC lamp type	Osram or Phillips UVC 18W (x2) – in PL or Dulux shape. Wavelength is 254nm
Power supply for lamps	Tridonic or Helvar or VS – electronic.
Fan Type	2 x MAGLEV fans (Magnetic Levitation – so no ball bearings or bushes – hence the 50 000 hour plus life.
Effective lamp life	8000 hours. An hour meter can be added – to enable maintenance staff to accurately monitor the lamp life.
Supply voltage	230V AC 50HZ
Wattage and power factor	72W – including 2 lamps plus 2 MagLEV fans Power factor is plus 0,95
Effective UVC wattage – when new	11W of 254nm
IP rating	IP 20
Surge arrestor	Either 10 or 20kVA within – this item will protect up to 20 events (like a transient spike caused by load shedding) thereafter it would need replacing. Once the surge arrestor has used up its 20 lives – it disconnects the mains feed to all other control gear protecting all gear.

Due to the nature of UVC radiation – within the radiation chamber – plastic items like plastic finger guards on the filters will degrade over time and will need replacing from time time