



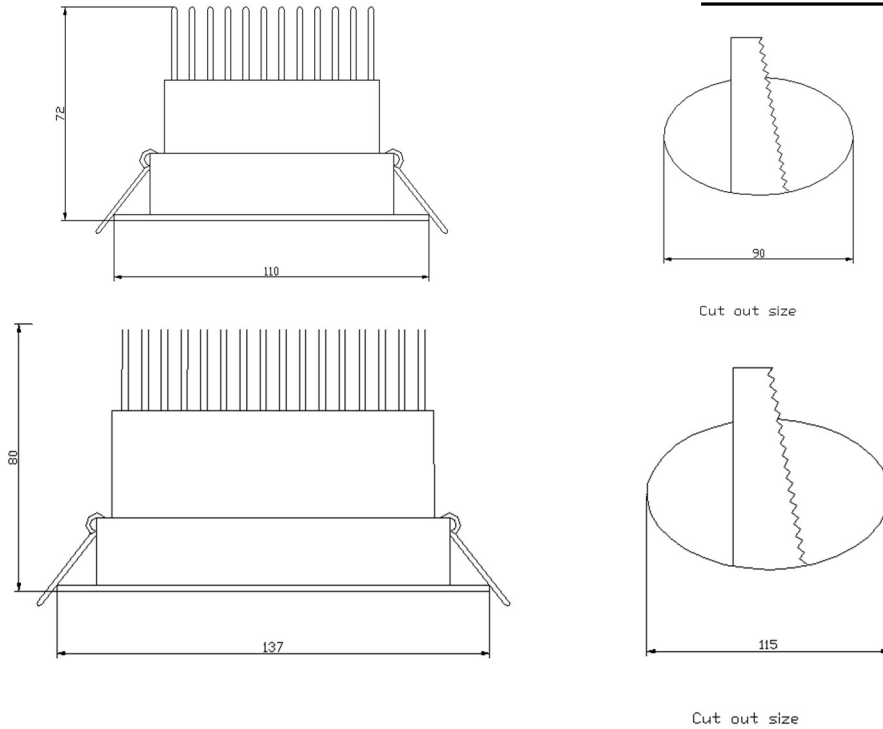
Softlight Tilt Downlight V2



THIS DOWNLIGHTER PROVIDES A SOFT WARM LIGHT IDEALLY SUITED TO THE HOSPITALITY ENVIRONMENT.



FACT FILE:



SOFTLIGHT tilt downlights		
	10W	20W
Trim construction	Polycarbonate with acrylic cover lens	Polycarbonate with acrylic cover lens
Reflector 38 degree spread	Metalized polycarbonate with faceted, non tarnish finish.	
Output characteristics	3000K warm white – 1200 lumens 10W (at source) 5000K Soft white – 1300 lumens 10W (at source)	3000K warm white 2400 lumens 20W (at source) 5000K soft white 2600 lumens 20W (at source)
Supply voltage	230V AC	
Power Factor	Better than 0,95	
IP rating	IP 20	
Controls	Standard - no control, on or off I-10V control available DMX control available DALI control available KNX control available	

Lumen values are as measured at source - on the PCB - not exiting light fitting.
 Due to the fast pace of development - values are subject to change at any time and without notice.