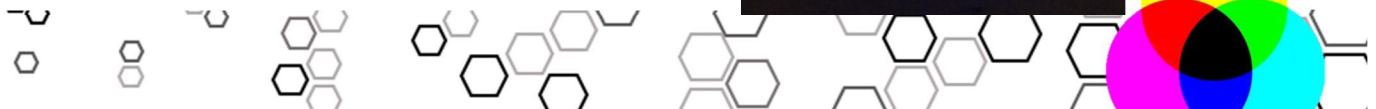
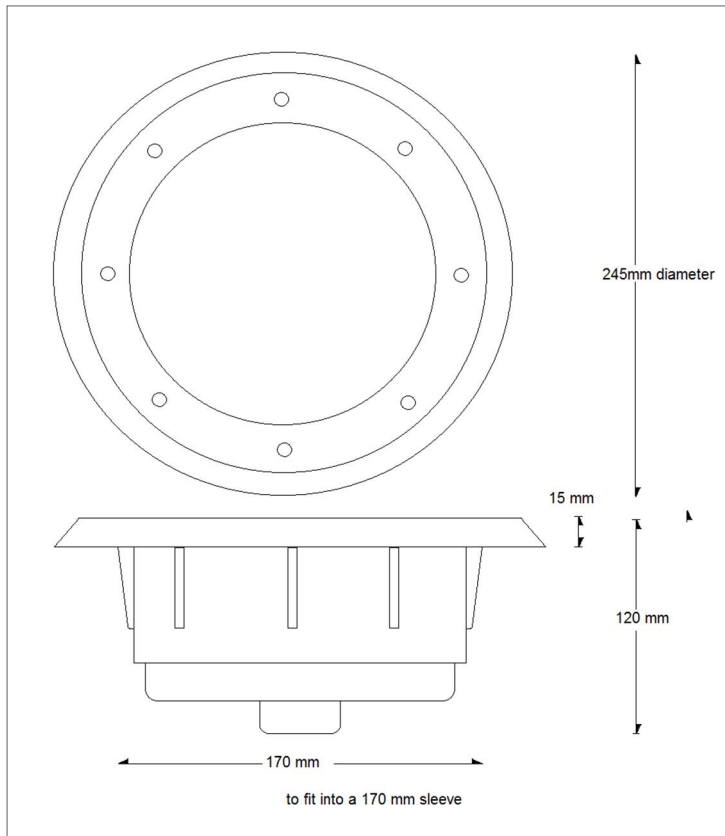


POOL LIGHT





FACT FILE:



	Single colour	RGBW Colour Mixing
Body construction	ABS for swimming pools	ABS for swimming pools
Cover glass	Makrolon (Polycarbonate)	Makrolon
Lumen	Econo – 12 x 2835 500 lumen	84 x RGBW 5050 LEDs White lumens – 1000 lumens
	Standard – can do narrow beam 4 x z5 – 960 lumen	
	Ultra – 80 x 2835 3000 lumen	
Supply voltage	12V AC	12V AC
Wattage / Amps	Econo – 6W	11W
	Standard – 9W	
	Ultra – 15W	
IP rating	IP 68	IP 68
Installation data	Available	Available
Data sheets for colour changing LED's available on request		
Luminous intensity diagrams available for white LED's on request. Note that due to the rate of LED development, light output values can change without notice - please contact us for updated values.		

FACT FILE:



1. 2 year warranty
2. Black or white housing
3. Optional remote control available
4. Wide beam - 9,5m x 6,5m
5. Narrow beam from Standard with AR111 reflector.
6. Colour roll with on/off controller - as below.

The swimming pool light is a microcontroller-driven coloured mood lighting sequencer. The light operates in one of three modes. The modes are changed by simply turning the light on for specific time intervals.

Mode #1 Slow Scroll

This is the default mode in which the light is shipped from the factory. In this mode, the LEDs cycle through twelve colours, with each colour showing for fifteen seconds.

Mode #2 Fast Scroll

In this mode, the light still scrolls through the twelve colours, but each colour only shows for about three seconds before changing. This is the programming mode.

Mode #3 Locked Colour

The scrolling function is disabled in this mode. The light will only show your selected colour.

Changing Modes:

In order to change settings, you need to change to Mode #2 Fast Scroll:

- Start with the pool light off.
- **Turn the light ON and delay for approximately 2½ seconds then turn the power OFF.** You have now changed mode.
- Wait for about 5 seconds, then power on again and your light will be in fast scroll mode, making it easier to select a single colour from the 12-colour sequence.

Select a Specific Colour:

Now to lock onto a particular colour from fast scroll mode:

- **As soon as the colour you want shows, turn the power OFF for about five seconds.**
- When you turn the light back on, it will be locked onto your selected colour.

Return to the default Slow Scroll

The light will show only your chosen lock-on colour until you do the following:

- Start with the pool light off.
- **Turn the light ON for approximately 2½ seconds then turn the power OFF.**
- The next time you switch the light on, the Mode #1 Slow Scroll will be in effect.

