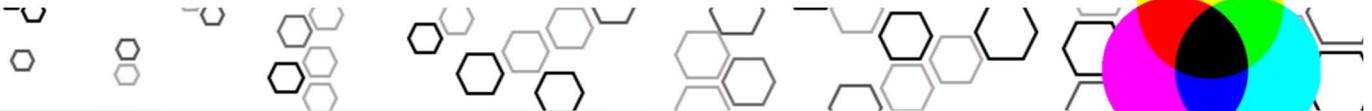
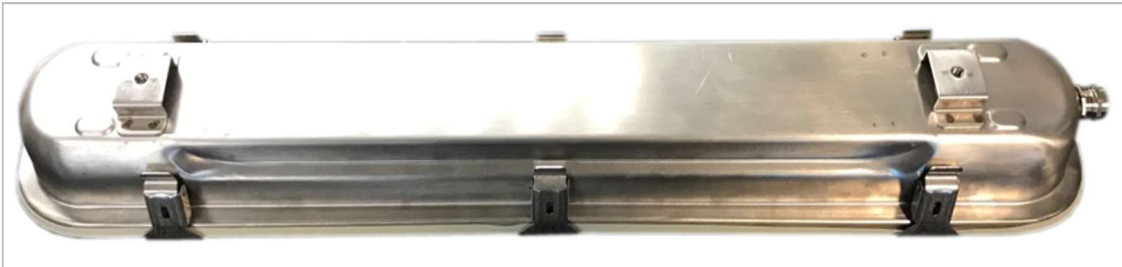
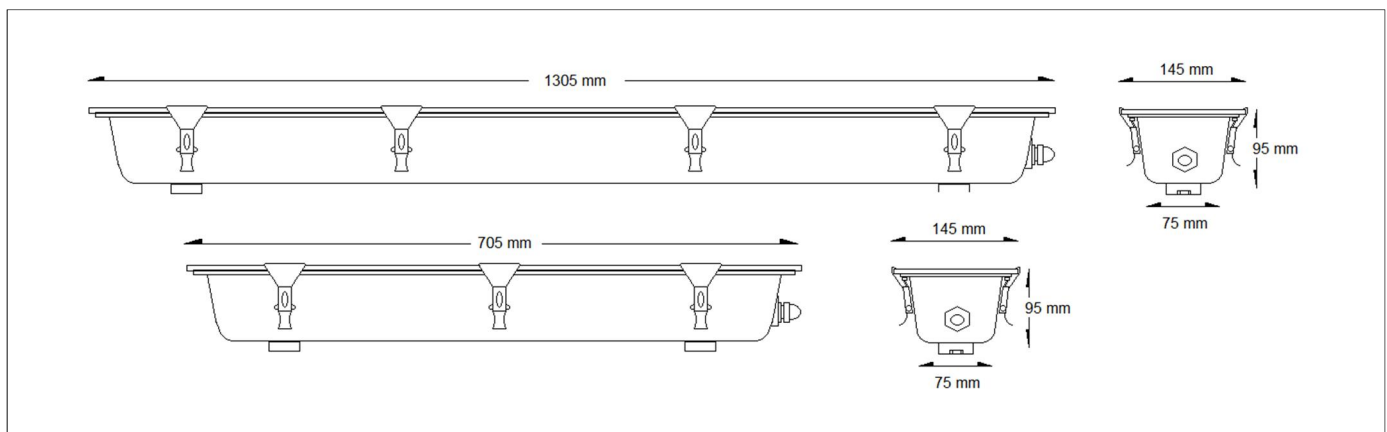
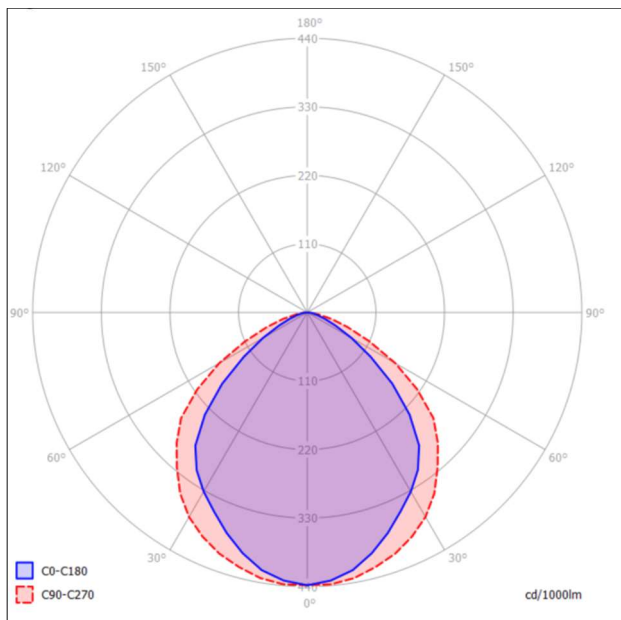


2ft / 4ft Stainless
Steel LED





FACT FILE:



	2 ft	4 ft
Body construction	Stainless steel – deep drawn 304 grade. Threaded 20mm boss for proper gland seating. Gasket - silicone	
Cover glass	Toughened and frosted - 2 x retaining screws and cable	
Lumens – based on 4000K or 5000K. Measured at PCB inside the light fitting.	2ft - 24W – 4200 lumens 4ft - 48W – 8200 lumens	
Supply voltage	230V AC	
Power factor	Better than 0.95	
Dimmable	Normally – no , but can be adapted for DALI or DMX or I-10V or KNX	
IP rating	IP 65	
If warm white 3000K is required – the lumen values will drop by 8%		

Lumen values are as measured at source – on the PCB – not exiting light fitting.
 Due to the fast pace of development – values are subject to change at any time and without notice.