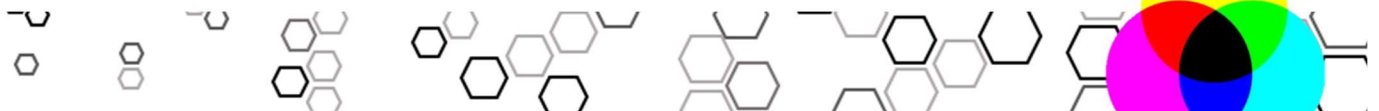
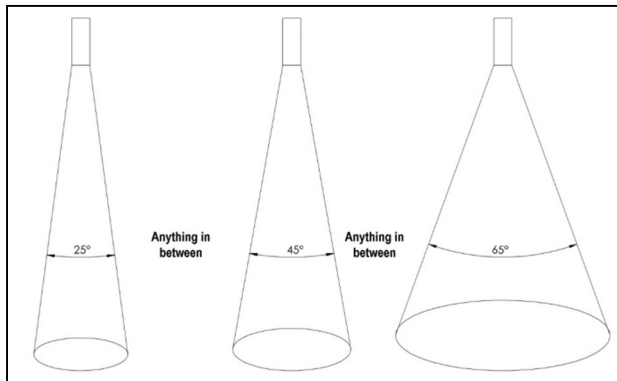


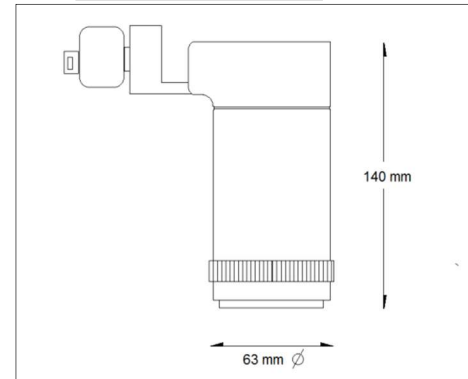


Variable Beam Track
Mounted Spot Lights

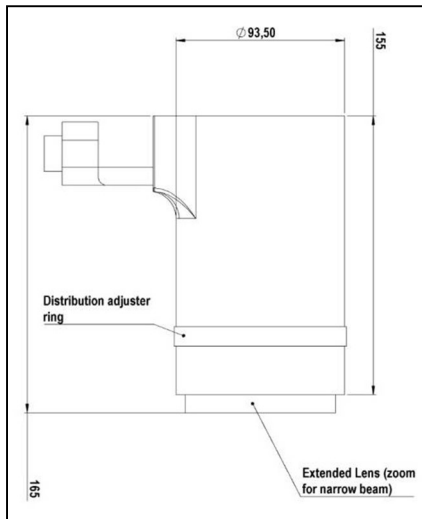




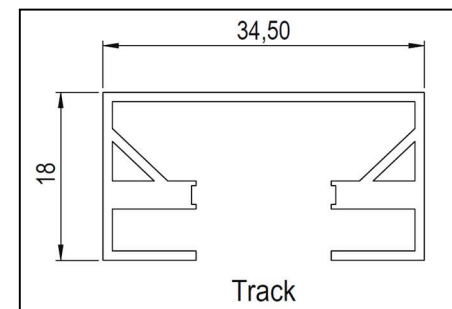
FACT FILE:



10W



20W



	Spot		
Body construction	Body - Cast Aluminium		
LED type	Cree/Luminus/Bridgelux/Lumileds		
Power	10W or 20W		
CCT	3000K or 4000K (standard) or 5000K		
CRI	90+		
Lumens	1425 lumens for 10W and 2580 lumens for 20W		
Peak Candela	25° - 9133	45° - 4747	65° - 2322
Supply voltage	230V AC		
Power factor	Better than 0.95		
Dimmable	Normally – no , but can be adapted for 1-10V/DALI/DMX/KNX		
Distribution	25° - 65°		
If warm white 3000K is required – the lumen values will drop by 8%			

Lumen values are as measured at source - on the PCB - not exiting light fitting.
 Due to the fast pace of development - values are subject to change at any time
 and without notice.