

LED Flood/bulkhead Supreme 38W

Giantlight

EFFECT LIGHTING



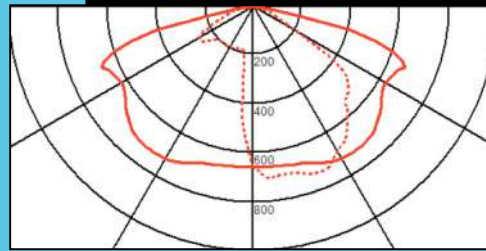
Giantlight (PTY) LTD

Tel: +27 11 704 1450 / +27 82 451 5506

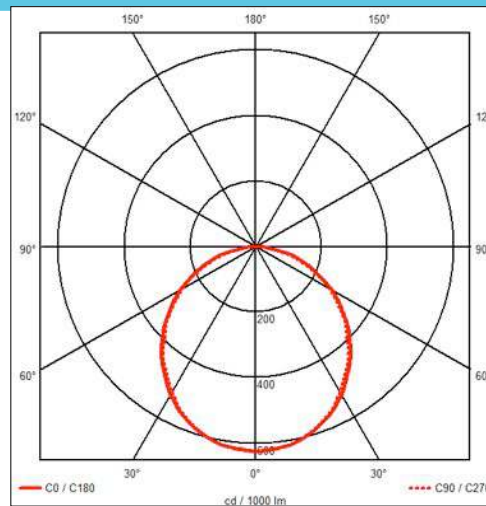
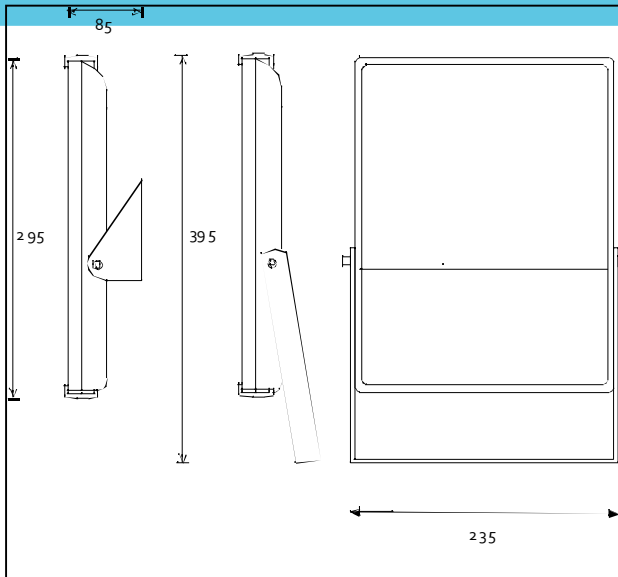
169 Bush Telegraph Rd, Northlands Business Park North Riding Gauteng South Africa

www.giantlight.co.za email: otto@giantlight.co.za; wolfgang@giantlight.co.za

# FACT FILE



Lensed option



Symmetrical –  
No lenses

<b>Fact file</b>	
Body construction	Die cast LM6 aluminium anodised and powder coated / Yoke hot dip galvanised steel or SS on request.
Lens type	Toughened 4mm glass
LED type	Luminus or Lumileds 5050
Lumen options	38W – 5548 lumens on PCB 5000K or 4000K – minimum CRI 80
Supply voltage	230V AC 50HZ
Wattage	38W
IP rating	IP 65
Control Type	Standard - no control, on or off DMX control available DALI control available
Power factor	Better than 0,9
IES files available	Yes

Lumen values are as measured at source - on the PCB - not exiting light fitting.  
Values are subject to change at any time and without notice.

Giantlight (PTY) LTD

Tel: +27 11 704 1450 / +27 82 451 5506

169 Bush Telegraph Rd, Northlands Business Park North Riding Gauteng South Africa

www.giantlight.co.za email: otto@giantlight.co.za; wolfgang@giantlight.co.za