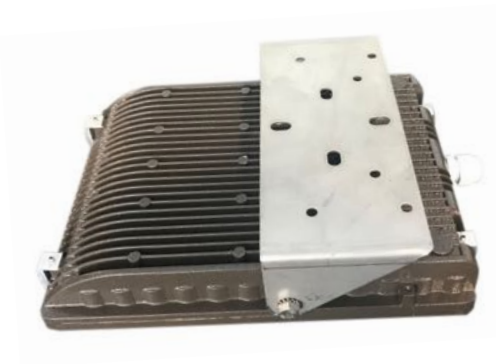


LED Flood/bulkhead Supreme 25W
and 50W

Giantlight

EFFECT LIGHTING

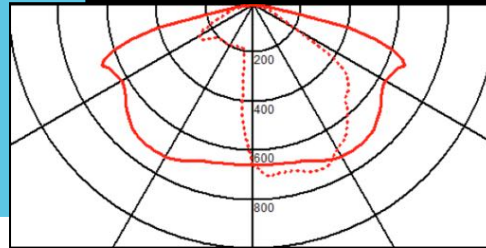


Giantlight (PTY) LTD

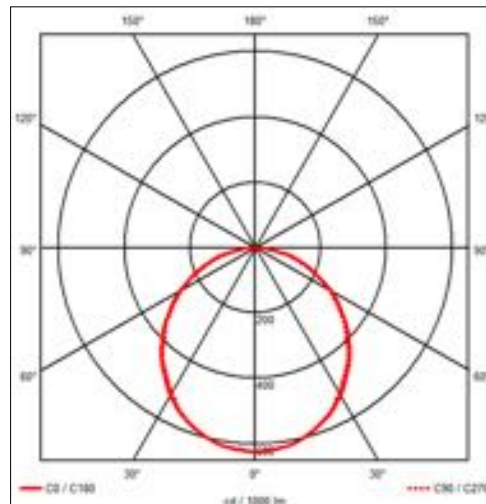
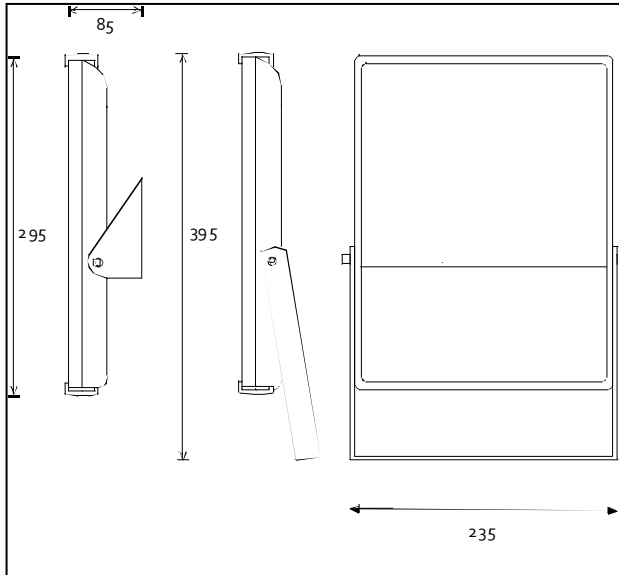
Tel: +27 11 704 1450 / +27 82 451 5506

169 Bush Telegraph Rd, Northlands Business Park North Riding Gauteng South Africa

www.giantlight.co.za email: otto@giantlight.co.za; wolfgang@giantlight.co.za



Lensed option



Symmetrical – No lenses

Fact file	
Body construction	Die cast LM6 aluminium anodised and powder coated / Yoke hot dip galvanised steel or SS on request.
Lens type	Toughened 4mm glass
LED type	Luminus or Lumileds 5050
Power supply type	Helvar or Tridonic or TCI - long life power supply 50 000 hours plus – with surge arresor built in.
Lumen options	25W – 3650 lumens on PCB – not exiting the light fitting. 50W – 7300 lumens on PCB – not exiting the light fitting
CCT and CRI	5000K or 4000K or 3000K – minimum CRI 80 In the case of 3000K reduce lumen values by 8%
Supply voltage	230V AC 50HZ
Wattage	25W or 50W
IP rating	IP 65
Control Type	Standard - no control, on or off DMX control available DALI control available
Power factor	Better than 0,9
IES files available	Yes

. Values are subject to change at any time and without notice.

Giantlight (PTY) LTD

Tel: +27 11 704 1450 / +27 82 451 5506

169 Bush Telegraph Rd, Northlands Business Park North Riding Gauteng South Africa

www.giantlight.co.za email: otto@giantlight.co.za; wolfgang@giantlight.co.za