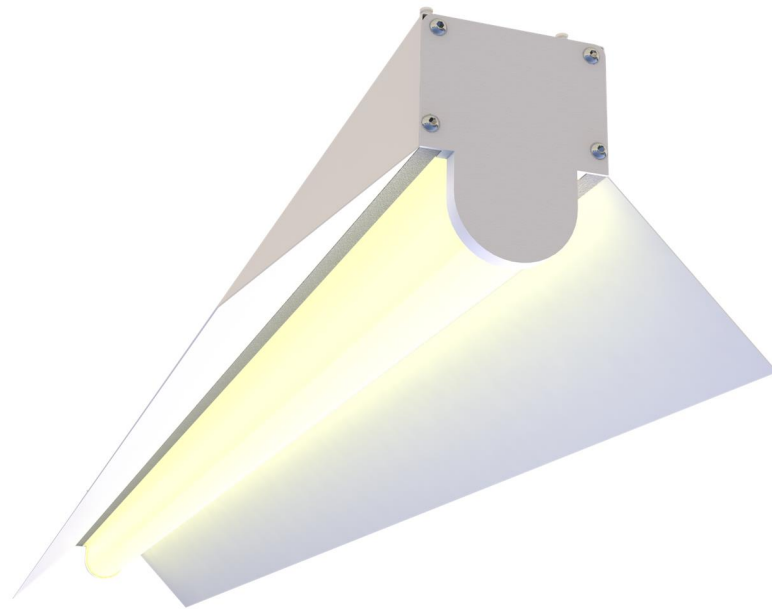


Utility LED

Giantlight

EFFECT LIGHTING

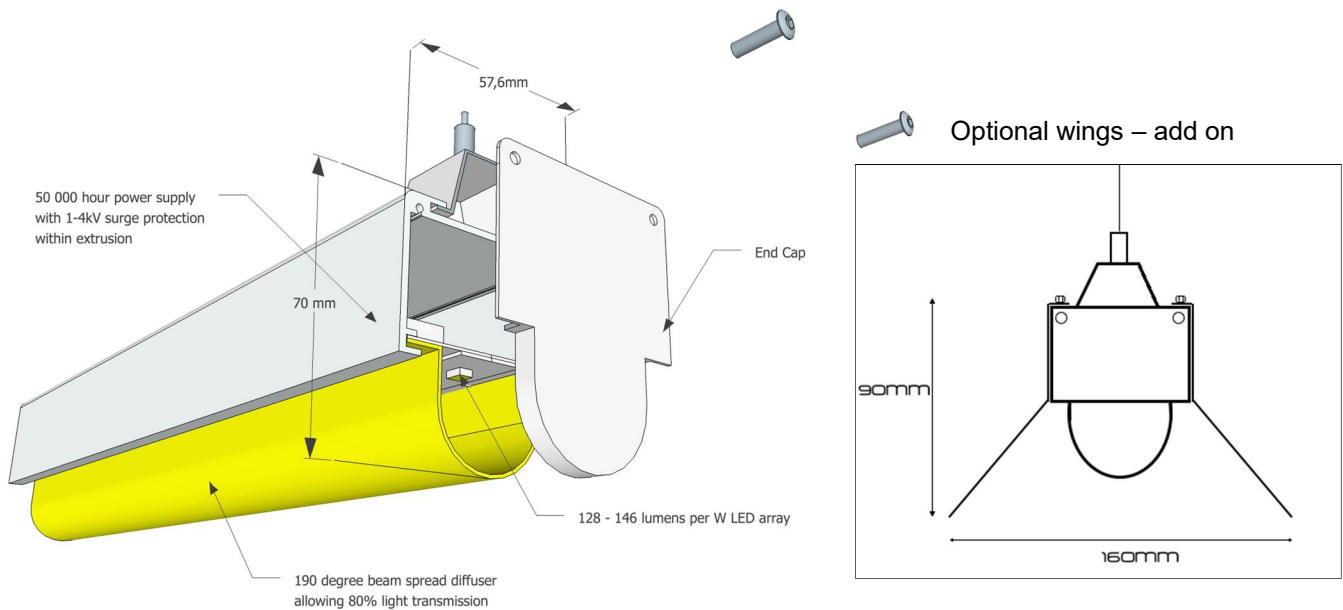


Giantlight (PTY) LTD

Tel: +27 11 704 1450 / +27 82 451 5506

169 Bush Telegraph Rd, Northlands Business Park North Riding Gauteng South Africa

[www.giantlight.co.za](http://www.giantlight.co.za) email: [otto@giantlight.co.za](mailto:otto@giantlight.co.za); [wolfgang@giantlight.co.za](mailto:wolfgang@giantlight.co.za)

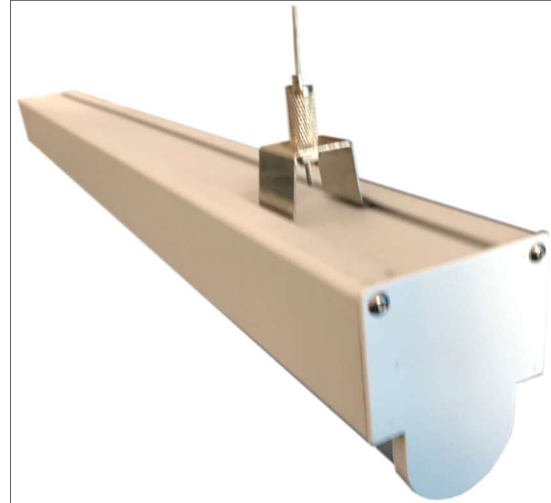


Body Construction	Extruded aluminium - either anodized or powder coated
Lens and Reflector type	190 degree ultra wide distribution Opal lens with 80% transmission.
Lumen options/Watts Length options	600mm – 24W 3072 lumens at source 1200mm – 48W 6144 lumens at source 1800mm – 72W 9216 lumen as source
Supply Voltage	230V AC 50HZ
CCT options	4000K and 5000K      3000K – (reduce lumens by 8%)
CRI	Plus 80 minimum – plus 90 possible on request
IP Rating	IP 44 – splash proof IP 55 on reuest
Control Gear	50000 hour Tridonic or Helvar or TCI – internally mounted
Installation Data	IES Files – Yes
Dimmable?	Standard – no but with correct gear – then; Dali – Yes 1-10V – Yes DMX – Yes Triac -Yes

Lumen values are as measured at source - on the PCB - not exiting light fitting.  
Values are subject to change at any time and without notice.



Surface mount option



Pendant option

