

LED batten MEGA

Giantlight

EFFECT LIGHTING

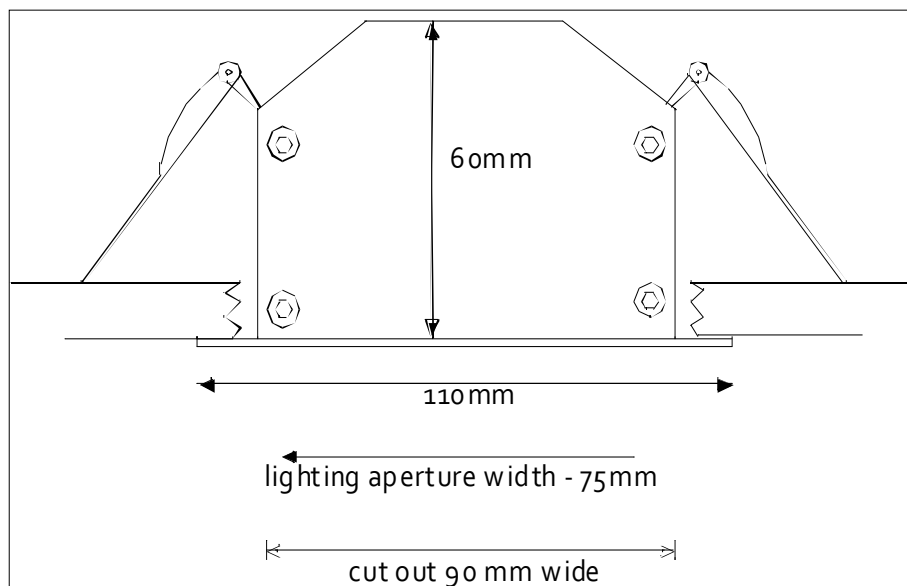
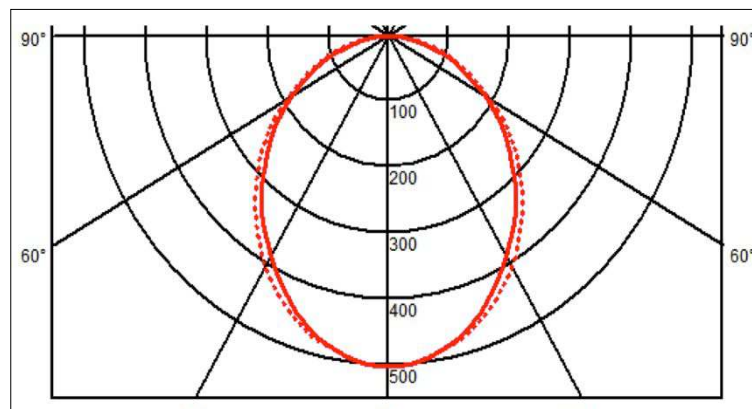


Giantlight (PTY) LTD

Tel: +27 11 704 1450 / +27 82 451 5506

169 Bush Telegraph Rd, Northlands Business Park North Riding Gauteng South Africa

www.giantlight.co.za email: otto@giantlight.co.za; wolfgang@giantlight.co.za



Body Construction	Extruded aluminium - either anodized or powder coated
Lens and Reflector type	120 degree distribution - opal lens Opal/Fresnel lens optional
Lumen options/Watts	600mm – 20W 2000 lumen /// 600mm 40W 4000 lumen 900mm – 30W 3000 lumen \\\ 900mm 60W 6000 lumen 1200mm – 40W 4000 lumen /// 1200mm 80W 8000 lumen 1500mm – 50W 5000 lumen \\\ 1500mm 100W 10000 lumen
Supply Voltage	230V AC 50HZ
IP Rating	IP 20
Control Gear	internal
Installation Data	IES Files – Yes
Dimmable?	With correct gear - yes

Lumen values are as measured at source - on the PCB - not exiting light fitting.  
Values are subject to change at any time and without notice.