

Pool Light

Giantlight

EFFECT LIGHTING

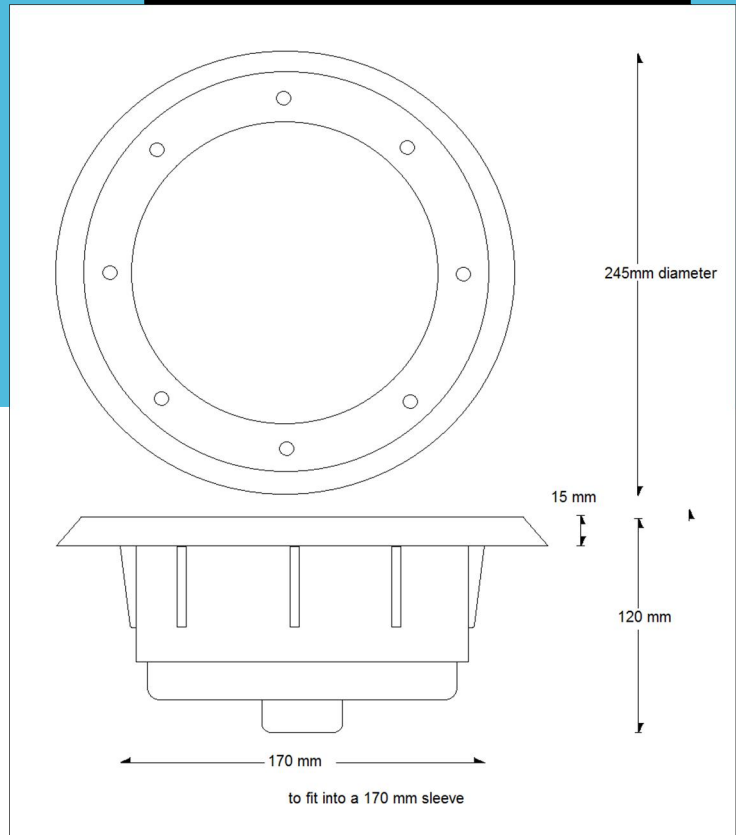


Giantlight (PTY) LTD

Tel: +27 11 704 1450 / +27 82 451 5506

169 Bush Telegraph Rd, Northlands Business Park North Riding Gauteng South Africa

www.giantlight.co.za email: otto@giantlight.co.za; wolfgang@giantlight.co.za



	Single colour		RGB Colour Mixing
Body construction	ABS for swimming pools		ABS for swimming pools
Cover glass	MaKrolon (Polycarbonate)		Makrolon
Lamp type	Lumileds or Sumsung		Seoul
Lumen	750	1500	NA
Supply voltage	12V AC		12V AC or 350mA DMX
Wattage / Amps	7W	11W	11W
IP rating	IP 68		IP 68
Installation data	Available		Available
Data sheets for colour changing LED's available on request			
Luminous intensity diagrams available for white LED's on request. Note that due to the rate of LED development, light output values can change without notice - please contact us for updated values.			

1. 2 year warranty
2. Black or white housing
3. Optional remote control available
4. Wide beam – 9,5m x 6,5m
5. Colour light has automatic switch off after 5 hours
6. Colour light can scroll through colours or be set on one colour
7. Colour light retains memory of last setting it was left on –when switching back on it will call up the last colour.
8. Up to 6 lights can be synchronized on a single 125W safety isolating transformer
9. Switch on then off – within 2 seconds to activate the next colour.
10. Switch off for 4 seconds – then on to activate colour scrolling.
11. Colour sequence is
 - Light Blue
 - Green
 - Cyan (blue and green together)
 - Deep Blue
 - Magenta (red and blue together)
 - White.