

Softlight Tilt Downlight V2

Giantlight

EFFECT LIGHTING



Giantlight (PTY) LTD

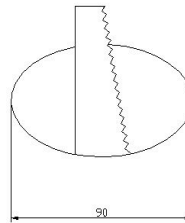
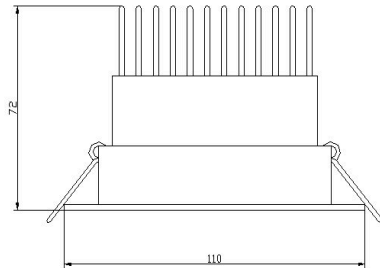
Tel: +27 11 704 1450 / +27 82 451 5506

169 Bush Telegraph Rd, Northlands Business Park North Riding Gauteng South Africa

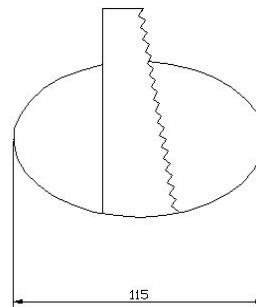
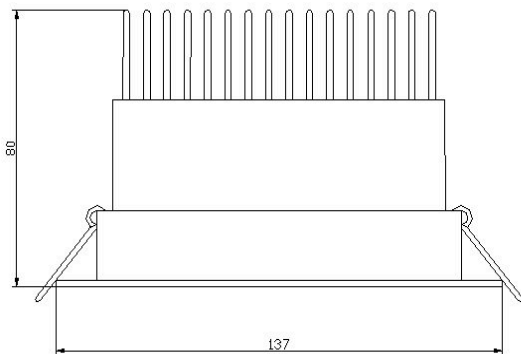
www.giantlight.co.za email: otto@giantlight.co.za; wolfgang@giantlight.co.za

THIS DOWNLIGHTER PROVIDES A SOFT WARM LIGHT IDEALLY SUITED TO THE HOSPITALITY ENVIRONMENT.

FACT FILE



Cut out size



Cut out size

SOFTLIGHT tilt downlights		
	Softlight 1000 V2	Softlight plus 2000 V2
Trim construction	Polycarbonate with acrylic cover lens	Polycarbonate with acrylic cover lens
Reflector 45 degree spread	High purity aluminium - spun and polished with anti glare, non tarnish finish.	High purity aluminium - spun and polished with anti glare, non tarnish finish.
Output characteristics	3000K warm white – 900 lumens 10W 5000K Soft white – 1100 lumens 10W	3000K warm white 1800 lumens 20W 5000K soft white 2200 lumens 20W
Supply voltage	230V AC 50 Hz	230V AC 50Hz
IP rating	IP 20	IP 20
Control – not dimmable as standard, but with correct control gear can be controlled via; Triac dimming, 1-10V, DMX as well as DALI		

Lumen values are as measured at source - on the PCB - not exiting light fitting.  
Values are subject to change at any time and without notice.

Giantlight (PTY) LTD

Tel: +27 11 704 1450 / +27 82 451 5506

169 Bush Telegraph Rd, Northlands Business Park North Riding Gauteng South Africa

www.giantlight.co.za email: otto@giantlight.co.za; wolfgang@giantlight.co.za