

LED batten
recessed

Giantlight

EFFECT LIGHTING

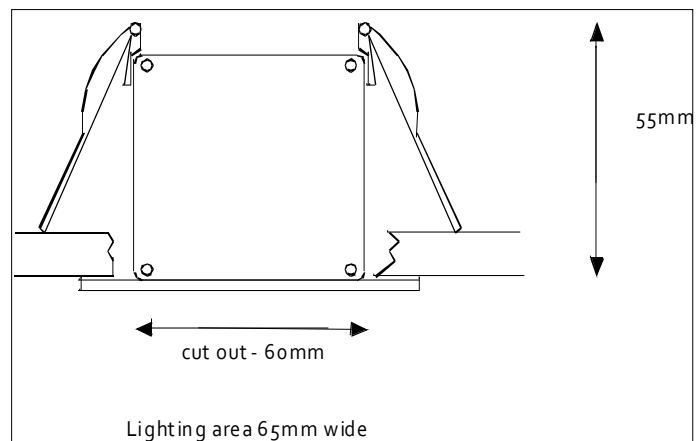
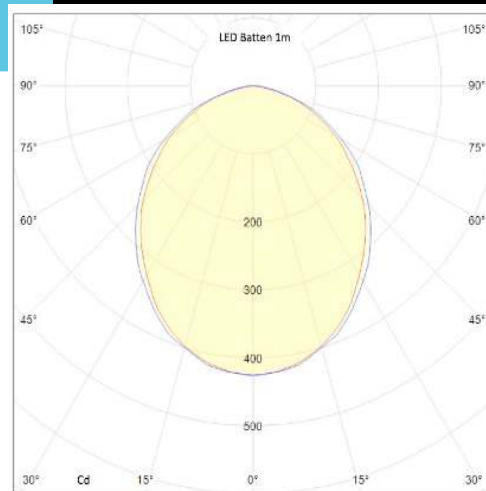


Giantlight (PTY) LTD

Tel: +27 11 704 1450 / +27 82 451 5506

169 Bush Telegraph Rd, Northlands Business Park North Riding Gauteng South Africa

www.giantlight.co.za email: otto@giantlight.co.za; wolfgang@giantlight.co.za



Body Construction	Extruded aluminium - either anodized or powder coated
Lens and Reflector type	120 degree wing configuration Opal/fresnel lens optional
Lumen options/Watts	600mm – 10W 1000 lumen /600mm-20W 2000 lumen 900mm – 15W 1500 lumen /900mm – 30W 3000 lumen 1200mm – 20W 2000 lumen/ 1200mm – 40W 4000 lumen 1500mm – 25W 2500 lumen /1500mm – 50W 5000 lumen
Supply Voltage	230V AC 50HZ
IP Rating	IP 20
Control Gear	External
Installation Data	IES Files – Yes
Dimmable?	Standard – no but with correct gear – then; Dali – Yes 1-10V – Yes DMX – Yes Triac -Yes

Lumen values are as measured at source - on the PCB - not exiting light fitting.
Values are subject to change at any time and without notice.

Giantlight (PTY) LTD

Tel: +27 11 704 1450 / +27 82 451 5506

169 Bush Telegraph Rd, Northlands Business Park North Riding Gauteng South Africa

www.giantlight.co.za email: otto@giantlight.co.za; wolfgang@giantlight.co.za